

The Speaker.



REPUBLIC OF NAURU

Government Gazette

Published by Authority

No. 44

9th October 1985

Nauru

G.N.No.328/1985

REPUBLIC OF NAURU

COURTS ACT 1972, SECTION 9 (4)

APPOINTMENT OF RESIDENT MAGISTRATE

IN EXERCISE OF the powers vested in me, pursuant to Section 9, sub-section (4) of the Courts Act 1972, I BURARO DETUDAMO, Acting President of the Republic, after consultation with His Honour the Acting Chief Justice, DO HEREBY appoint MR. OM PARKASH SINGLA to be the Resident Magistrate of the District Court of Nauru with immediate effect.

Done this third day of the month of October, Nineteen Hundred and Eighty Five.

BURARO DETUDAMO
(ACTING PRESIDENT)

G.N.No. 329 /1985.

COURTS ACT 1972

SECTION 6 (2)

APPOINTMENT OF PERSON TO BE REGISTRAR OF
THE SUPREME COURT

In supersession of Notification dated 18th March 1985, I, BERNARD DOWIYOGO, Minister for Justice of the Republic of Nauru, in exercise of the powers vested in me under subsection (2) of section 6 of the Courts Act 1972, and after consultation with his Honour the Acting Chief Justice, DO HEREBY REVOKE all previous appointments to the office of the Registrar of the Supreme Court of the Republic of Nauru and simultaneously APPOINT OM PRAKASH SINGLA, to be the Registrar of the Supreme Court of the Republic of Nauru, with effect from 2nd day of October 1985.

Dated this 2nd day of October 1985.

BERNARD DOWIYOGO
MINISTER FOR JUSTICE

G.N.No. 330/1985

REPUBLIC OF NAURU

COURTS ACT 1972 SECTION 15 (1)

APPOINTMENT OF CLERK OF THE DISTRICT COURT

IN EXERCISE OF the powers vested in me under sub-section (1) of Section 15 of the Courts Act 1972 of the Republic of Nauru, I, BERNARD DOWIYOGO, Minister for Justice of the Republic, do hereby appoint MR ADRIAN NOTTE to be Clerk of the District Court of Nauru, with immediate effect.

Done this 3rd day of the month of October, Nineteen Hundred and Eighty Five.

BERNARD DOWIYOGO
(MINISTER FOR JUSTICE)

G.N.No.331/1985

MIGRATION ACT 1958-1973

(SECTION 40)

APPOINTMENT OF PRESCRIBED AUTHORITY

In supersession of the notification dated 27th September 1985, I, BERNARD DOWIYOGO, Minister for Justice and Minister responsible for Customs and Immigration, by virtue of the powers in me under Section 40, sub-section(1) of the Migration Act 1958-1973 (hereinafter called as "The Act") as adopted to Nauru, DO HEREBY REVOKE all previous appointments to the office of the Prescribed Authority under the Act and simultaneously APPOINT OM PRAKASH SINGLA, RESIDENT MAGISTRATE, to be the Prescribed Authority for the purposes of the Act, with effect from the 2nd day of October 1985 until further notice.

Done this 2nd day of October Nineteen Hundred and Eighty Five.

BERNARD DOWIYOGO
MINISTER FOR JUSTICE

No.44

9th October 1985

Nauru

G.N.No 332/1985

BIRTHS, DEATHS AND MARRIAGESORDINANCE 1957 - 1967

Births, Deaths and marriages registered the week ended 4th October, 1985 were:-

BIRTHS1. NAURUANS

NAME	DATE OF BIRTH	SEX	REG'D DIST.	MOTHERS NAME
RAYMOND, LUKE, BEATAI,	3/5/85	M	YAREN	SHIRLEY TATUM
MILNA, QUINTET, BERNICE, PEARL- ANNE, RUTHIE-BABE, SHARI, VEROSSA, SHIALIMA,	22/5/85	F	ANABAR	MELINA OBETA
CRISPINA, MATINA, CRISARA, EIGATAUWE,	10/6/85	F	ANETAN	DOROTHY DAGEAGO
PETER, AMINERO, MURACO, DEVRIL, WINGS, TAN, DAMASCUS, TYRUS, CELONIAL, SNUKA, BONGO, HONAN, BUDO, BOBELL, JON-AUSTIN, RAMBO, PJERO, SANTANA, B.J., ULKOGAN,	15/8/85	M	MENENG	LINKE IKA
JOHN-RAYMOR, QUINTINE, HAWKINS, CHRISTIAN, GREVOR,	18/8/85	M	ANABAR	VERA IOERA
MAJO-JOHNNY, BELASCO, AUDUD,	4/9/85	M	UABOE	UNATTA GOBURE
LINSON, QUINN, PADLEY, TASHINA,	7/9/85	M	ANABAR	BEVELIA DUBURIYA
IRUWA, VICTORIA, EIMOUDUT-IOW, ZENI, SYLVIE-ANN, JANA, WINTA,	26/8/85	F	EWA	JEANETTE DEROBURT

No.44

9th October 1985

Nauru

G.N.No.332 /1985 (cont'd)

2. O.P.I. - NIL -

3. CHINESE - NIL -

DEATHS

1. NAURUAN

<u>NAME</u>	<u>DATE OF DEATH</u>	<u>SEX</u>	<u>AGE</u>	<u>TRIBE</u>
UN-NAMED CHILD OF SUSIE DABWIDO	14/9/85	F	-	EAMWIT
CHRISTOPHER DEGIDOA	20/9/85	M	6 YRS	EAMWIDMWIT
UN-NAMED CHILD OF KATHLEEN MOSES	21/9/85	M	-	EAMWIT
AGNES DEDIYA	27/9/85	F	48 YRS	EAMWIT

2. O.P.I. - NIL -

3. CHINESE - NIL -

MARRIAGES

- NIL -

M. B. CAIN
DEPUTY REGISTRAR
BIRTHS, DEATHS AND MARRIAGES

G.N.No. 333 /1985.

DECEASE ESTATE (Personalty)

Nauru Lands Committee advises that in relation to the personalities of all the deceased, Families had met and agreed upon the distribution, which are set out, as Follows.

<u>DECEASED</u>	<u>SOURCE OF INCOME</u>	<u>BENEFICIARIES</u>	<u>SHARES</u>
Agigo Dulcie	All Money	Billas Dogomadong	1/3
		Ali-Mal Biro Gowada	1/3
		Dulcie Angataro Kerita	1/3
Dagaiabo Fritz	All Money	Tom Einogog	All
Heinrich Ratagaiy	All Money	Etan Deireragea	1/6
		Monita Kun	1/6
		Dogin Duburiya	1/6
		Andrew Heinrich	1/8
		Dapipi Heinrich	1/8
		Maria Herman (ESTATE)	1/8
		Lyowor Heinrich	1/24
		Sarah Heinrich	1/24
		Julia Duburiya	1/24
		Bredom Heinrich	1/24
		Jared Heinrich	1/24
		May Etok	1/24
		Issac Heinrich	1/24
Florina Heinrich	1/24		
Amwano Abuenengin	All Money	Amwano Adrian	ALL
Ika Billy	All Money	Ika Eikatauw	ALL
Jose Dibwet	All Money	Jose Eibouwa (LTO)	ALL
Joseph Garabwan	All Money	Garabwan Eabuea	ALL
Jordan Emma	All Money	Jordan Allan (Equally)	1/2
		Jordan Clodumar	1/2
Adimo Bugaiyo	All Money	Agadio Eimonin	1/4
		A.Udire	1/12
		Solomon Eidirinen	1/12
		Depoudu Eimotur	1/12
		(Trustee Children)	
		Baraidogi Bathsheba	1/20
		Baraidogi Jenay	1/20
		Baraidogi Eariwow (LTO)	1/20
		Aku Ivan	1/24
		Aku Jim	1/24
		Agigo Lorita	1/24
		Dabadauw Esther	1/24
		Gaubidi Philip	1/24
		Gaudinimatang Kim	1/24

Distributions of the Estate will be effected, fourteen days after this Gazette.

B. Y. UERA
CURATOR OF INTESTATE ESTATE

No.44

9th October, 1985.

Nauru.

G.N.No.334/1985

LAND TRANSFER

It is notified for general information that the following land transfer below has been approved by His Excellency the Acting President.

<u>LAND NAME</u>	<u>DISTRICT</u>	<u>PORT NO.</u>	<u>FORMER OWNERS.</u>	<u>SHARES</u>	<u>GAZ. REF.</u>	<u>PROPOSED OWNER</u>	<u>SHARE</u>
Anibubu	Anibare	164	Mark Kun	1/288	38/85	Ricky Scotty	1/48
			Ruben Kun	1/288	38/85		
			Orlando Kun	1/288	38/85		
			Felix Kun	1/288	38/85		
			Eimon Kun (LTO)	1/288	38/85		
			Tulpe Maufanga	1/576	38/85		
			Knox Talenoa	1/576	38/85		

P.A DOWADI
VICE CHAIRMAN
NAURU LANDS COMMITTEE

G.N.No. 335/1985

SPECIAL NOTICE

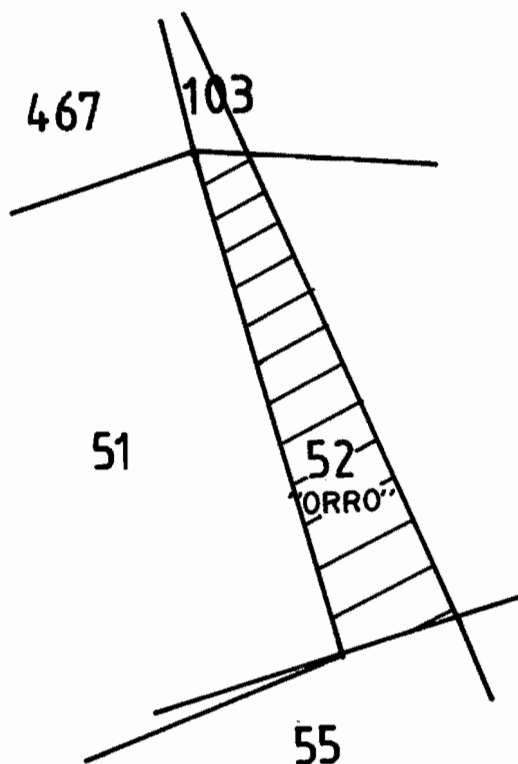
Listed hereunder are names of Deceased persons whose Estate will be dealt with, by the Nauru Lands Committee on dates and times as indicated below:-

Itsiwido Grundler Wednesday - 16/10/85 - 9.30 am
Lilian Jeremiah Wednesday - 16/10/85 - 2.30 pm
Chrisina D. Agiriouwa Thursday - 17/10/85 - 9.30 am

Those who have interest in the above estates are advised to attend.


P.A. DOWADI
VICE CHAIRMAN
NAURU LANDS COMMITTEE

DISTRICT OF AIWO
SCALE 1:500



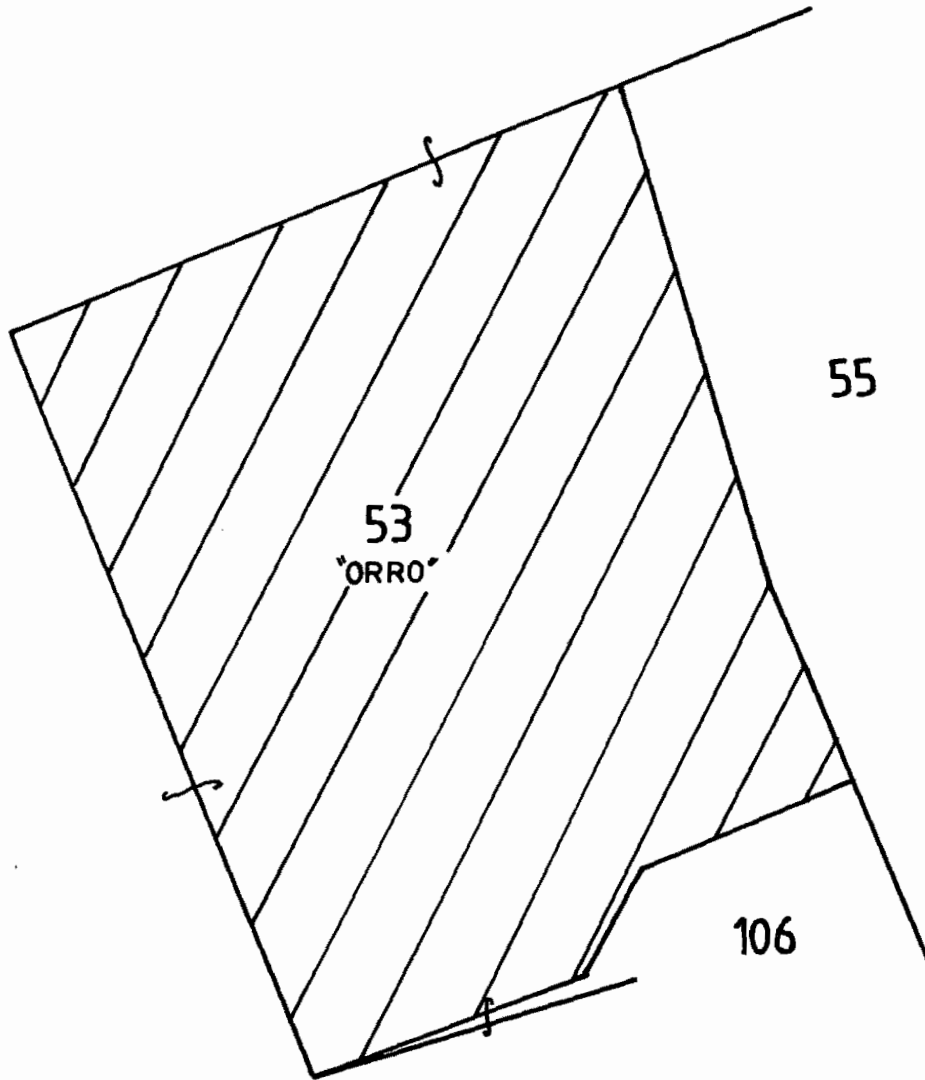
CLASSIFICATION OF LAND

BY VIRTUE of the powers vested in me by SECTION 7 of the LANDS ACT 1976, I HEREBY classify the land shown hatched on the plan hereunder as NON-PHOSPHATE BEARING LAND.


KENIA AROI

ACTING MINISTER
ISLAND DEVELOPMENT & INDUSTRY.

DISTRICT OF AIWO
SCALE 1:500



CLASSIFICATION OF LAND

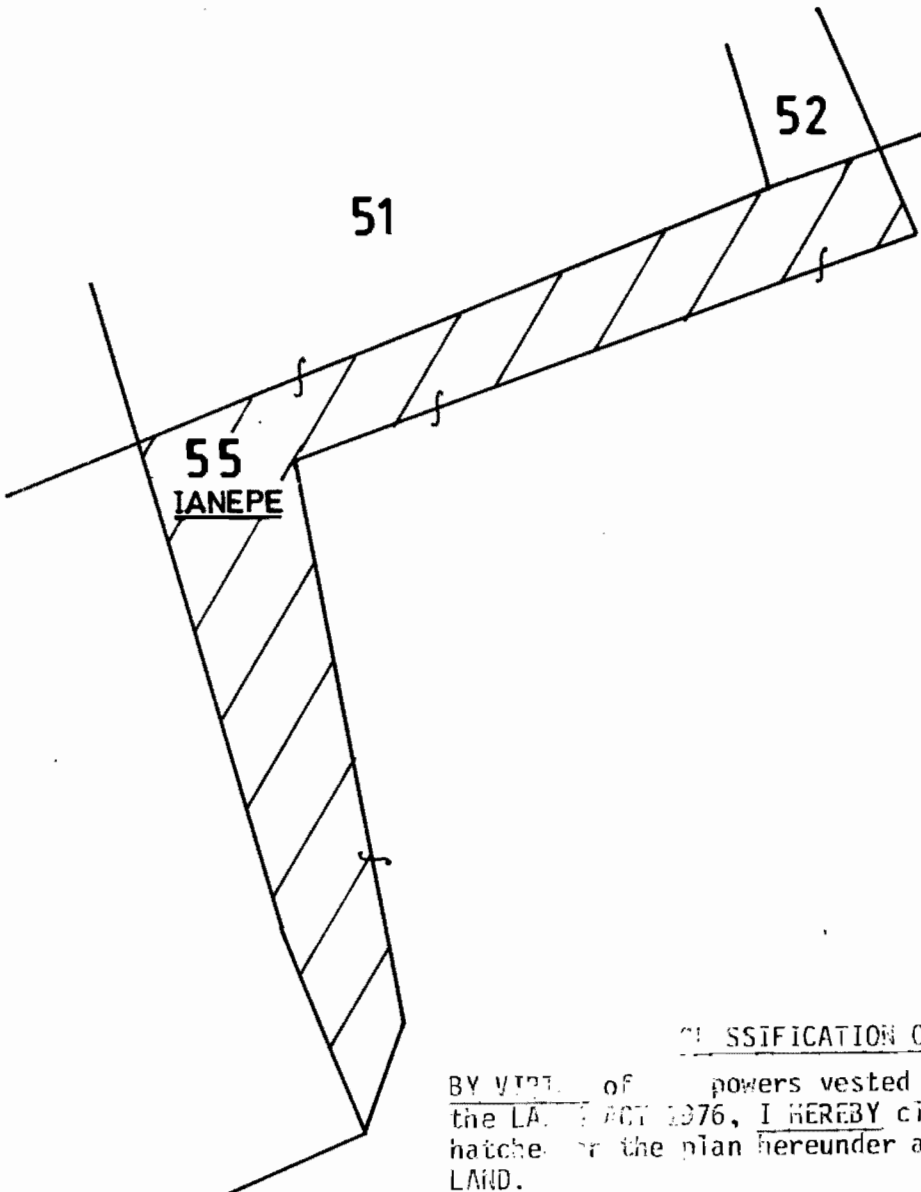
BY VIRTUE of the powers vested in me by SECTION 7 of the LANDS ACT 1976, I HEREBY classify the land shown hatched on the plan hereunder as NON-PHOSPHATE BEARING LAND.

ACTING MINISTER

ISLAND DEVELOPMENT & INDUSTRY.

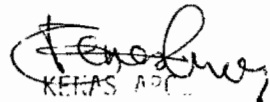
DISTRICT OF AIWO

SCALE 1:500



CLASSIFICATION OF LAND

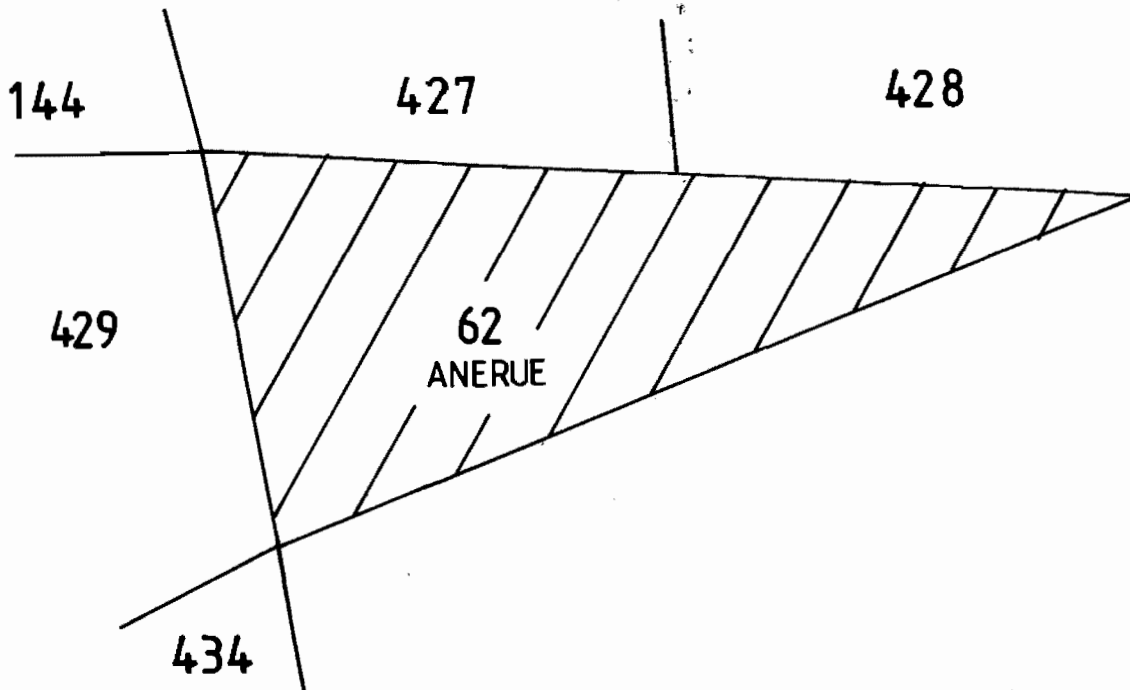
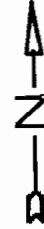
BY VIRTUE of powers vested in me by SECTION 7 of the LAND ACT 1976, I HEREBY classify the land shown hatched on the plan hereunder as NON-PHOSPHATE BEARING LAND.


KEMAS APC
ACTING MINISTER
ISLAND DEVELOPMENT DEPARTMENT

G.N.No. 339/1985

DISTRICT OF AIWO

SCALE 1:500

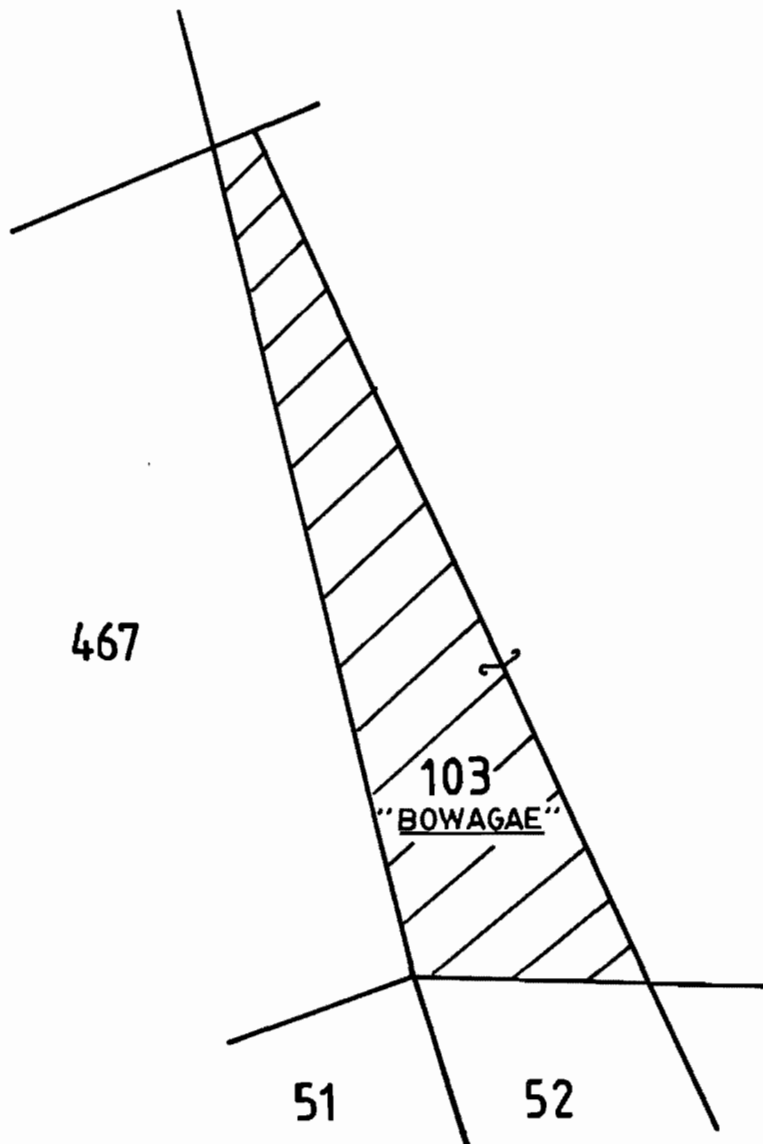


CLASSIFICATION OF LAND

BY VIRTUE of the powers vested in me by SECTION 7 of the LANDS ACT 1976, I HEREBY classify the land shown hatched on the plan hereunder as NON-PHOSPHATE BEARING LAND.

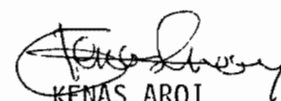
KENAS AROI
ACTING MINISTER
ISLAND DEVELOPMENT & INDUSTRY.

DISTRICT OF AIWO
SCALE 1:100



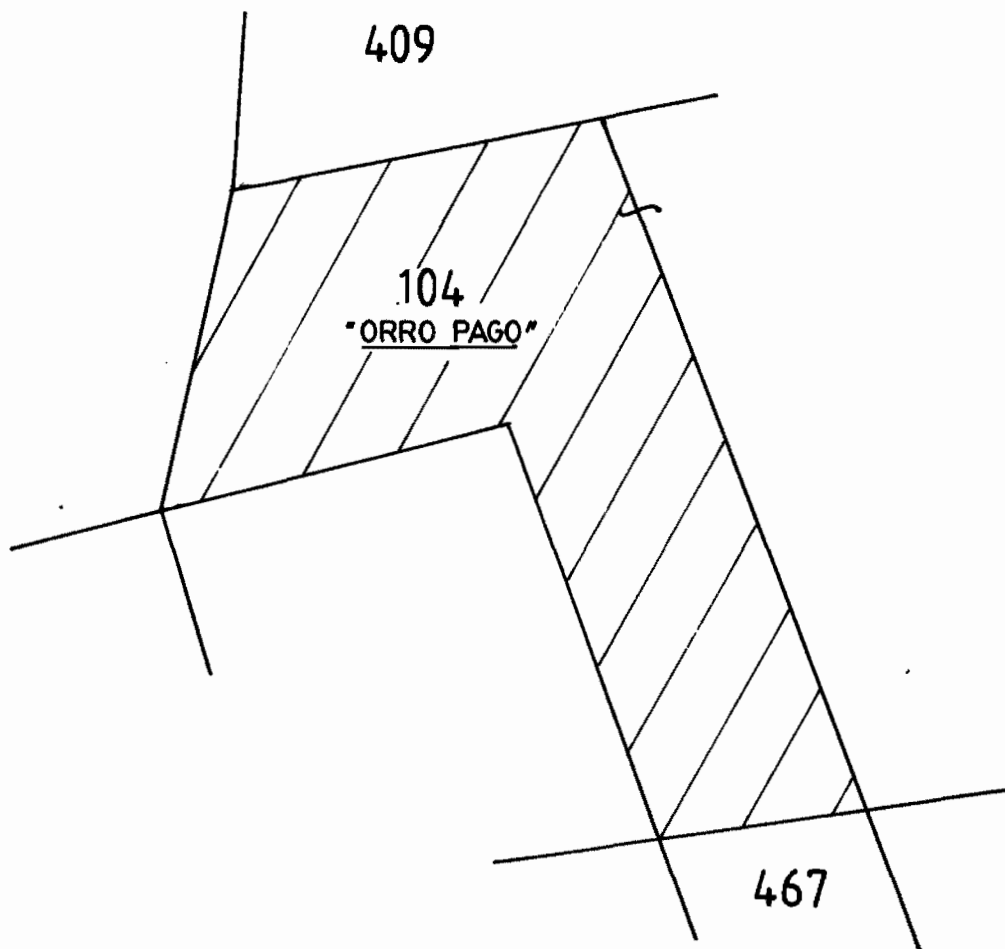
CLASSIFICATION OF LAND

BY VIRTUE of the powers vested in me by SECTION 7 of the LANDS ACT 1976, I HEREBY classify the land shown hatched on the plan hereunder as NON-PHOSPHATE BEARING LAND.


KENAS AROI

ACTING MINISTER
ISLAND DEVELOPMENT & INDUSTRY.

DISTRICT OF AIWO
SCALE 1:200

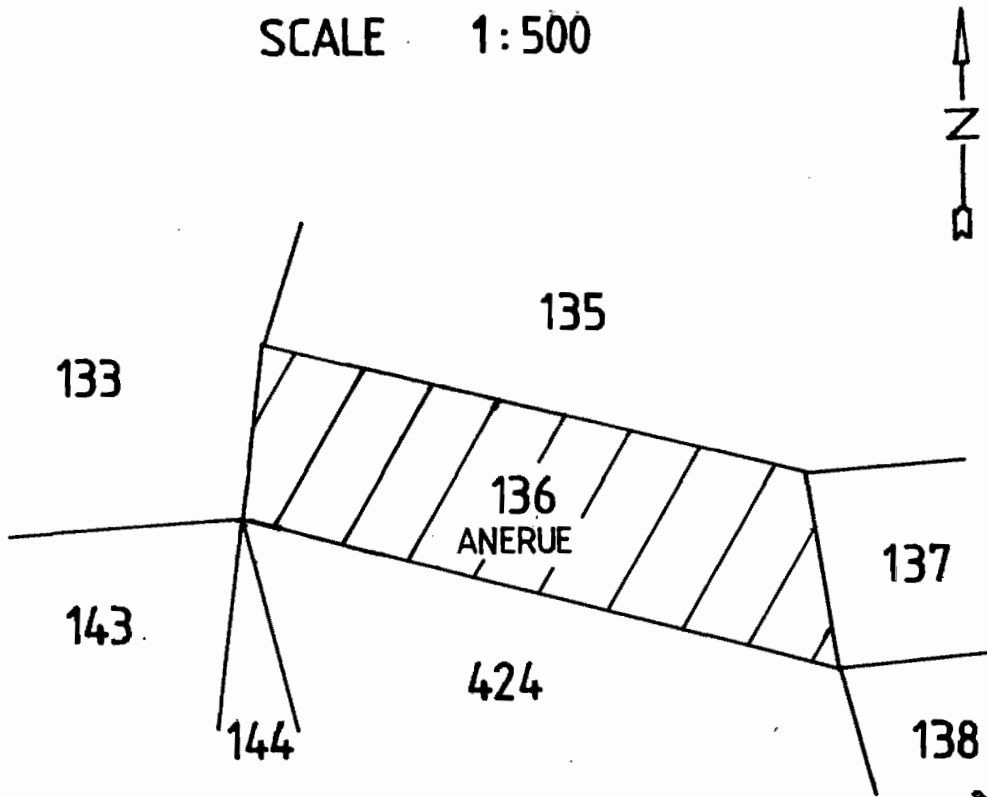


CLASSIFICATION OF LAND

BY VIRTUE of the powers vested in me by SECTION 7 of the LANDS ACT 1976, I HEREBY classify the land shown hatched on the plan hereunder as NON-PHOSPHATE BEARING LAND.

KENAS AROI
ACTING MINISTER
ISLAND DEVELOPMENT & INDUSTRY.

DISTRICT OF AIWO
SCALE 1:500



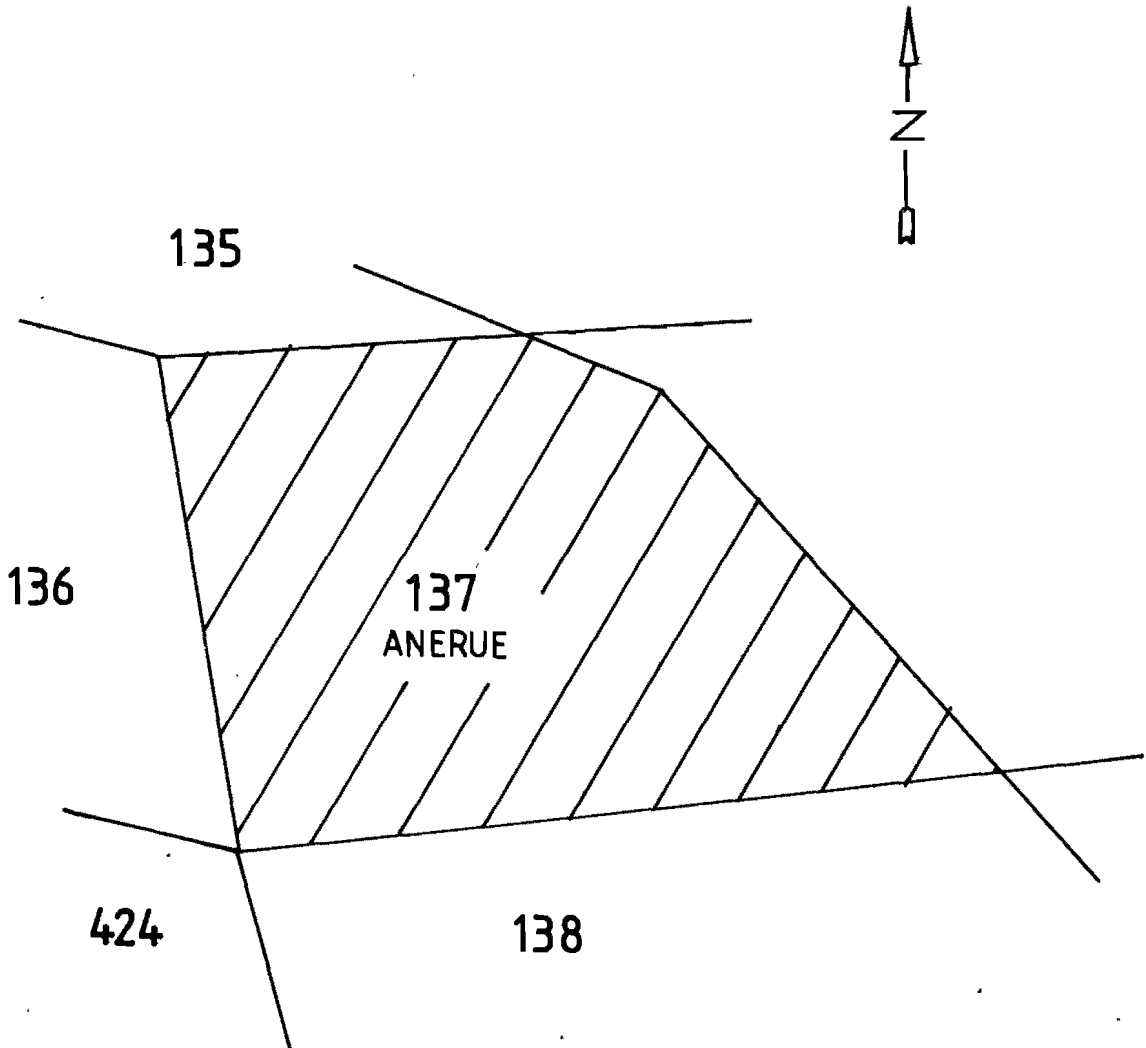
CLASSIFICATION OF LAND

BY VIRTUE of the powers vested in me by SECTION 7 of the LANDS ACT 1976, I HEREBY classify the land shown hatched on the plan hereunder as NON-PHOSPHATE BEARING LAND.


KENAS AROI
ACTING MINISTER
ISLAND DEVELOPMENT & INDUSTRY.

G.N.No. 343/1985

DISTRICT OF AIWO
SCALE 1:200



CLASSIFICATION OF LAND

BY VIRTUE of the powers vested in me by SECTION 7 of the LANDS ACT 1976, I HEREBY classify the land shown hatched on the plan hereunder as NON PHOSPHATE BEARING LAND.

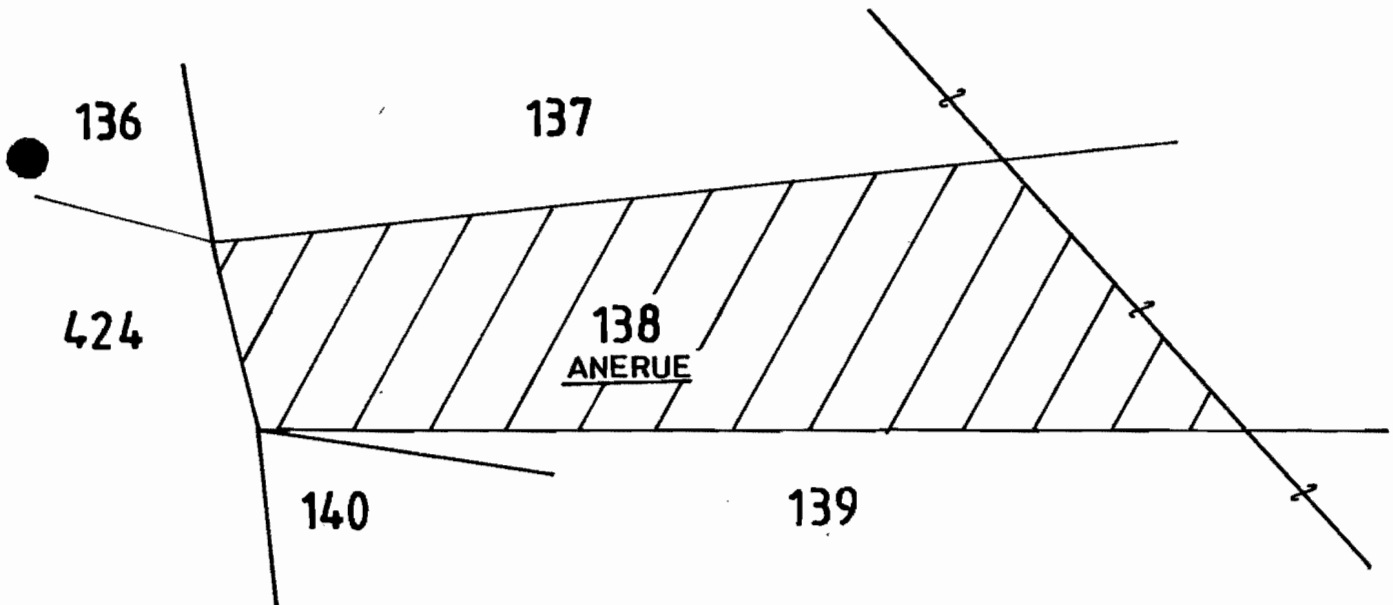
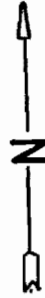
Thomas Arce
THOMAS ARCE
ACTING MINISTER
ISLAND DEVELOPMENT & TOURISM

DISTRICT OF AIWO

SCALE 1:200

CLASSIFICATION OF LAND

BY VIRTUE of the powers vested in me by SECTION 7 of the LANDS ACT 1976, I HEREBY classify the land shown hatched on the plan hereunder as NON-PHOSPHATE BEARING LAND.



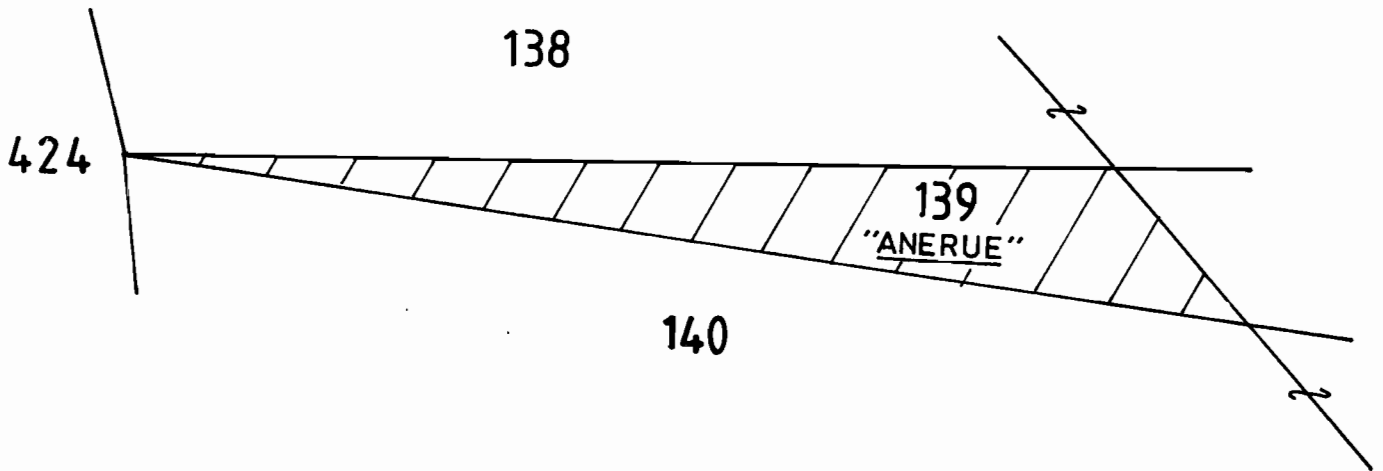
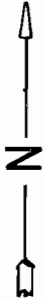
Kenas Aroi
KENAS AROI

ACTING MINISTER
LAND DEVELOPMENT & INDUSTRY.

G.N.No.345/1985

DISTRICT OF AIWO

SCALE 1 : 200



CLASSIFICATION OF LAND

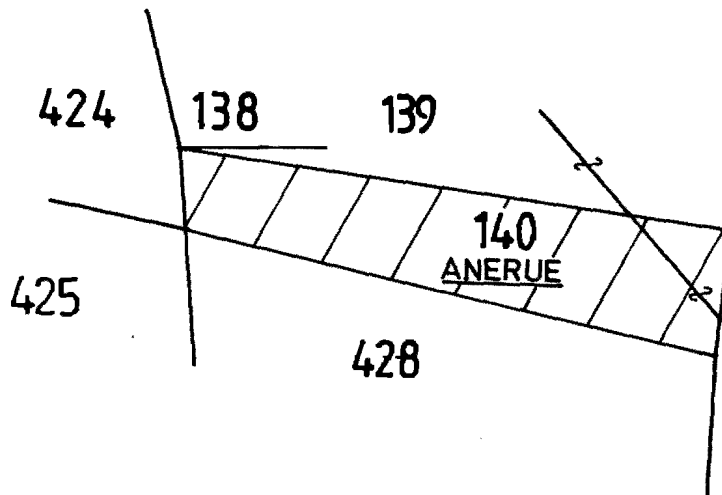
BY VIRTUE of the powers vested in me by SECTION 7 of the LANDS ACT 1976, I HEREBY classify the land shown hatched on the plan hereunder as NON-PHOSPHATE BEARING LAND.


KEMAS AROI

ACTING MINISTER
ISLAND DEVELOPMENT & INDUSTRY.

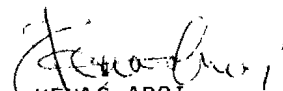
DISTRICT OF AIWO

SCALE 1:200



CLASSIFICATION OF LAND

BY VIRTUE of the powers vested in me by SECTION 7 of the LANDS ACT 1976, I HEREBY classify the land shown hatched on the plan hereunder as NON-PHOSPHATE BEARING LAND.

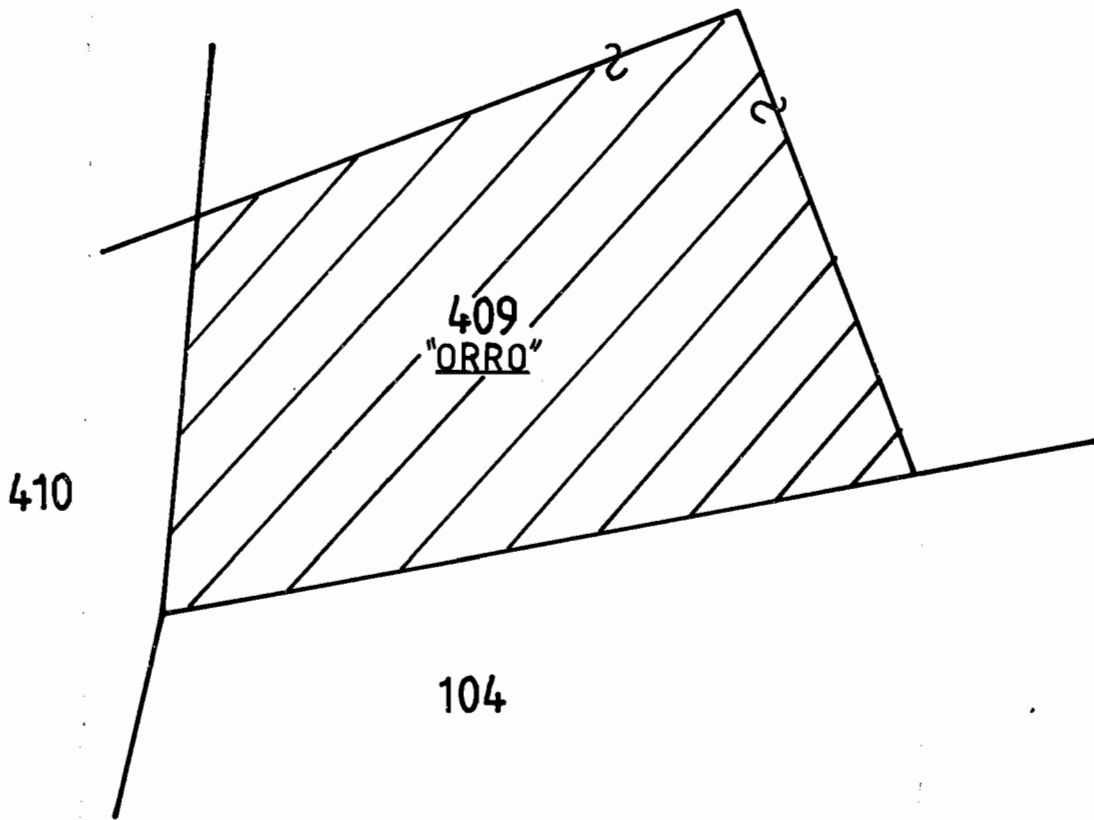

KENAS AROI

ACTING MINISTER

ISLAND DEVELOPMENT & INDUSTRY.

G.N.No.347/1985

DISTRICT OF AIWO
SCALE 1:100

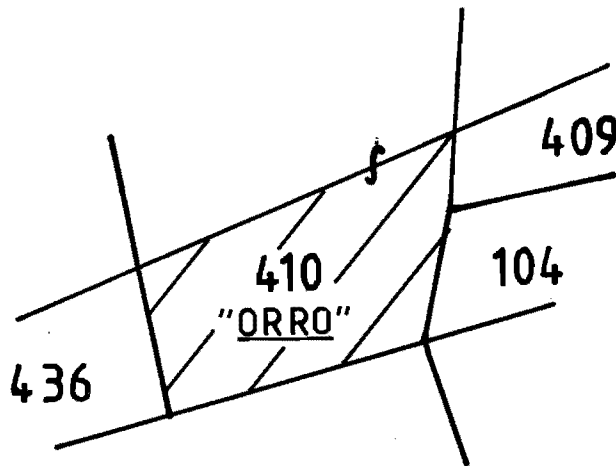


CLASSIFICATION OF LAND

BY VIRTUE of the powers vested in me by SECTION 7 of the LANDS ACT 1976, I HEREBY classify the land shown hatched on the plan hereunder as NON-PHOSPHATE BEARING LAND.


KENAS AROI
ACTING MINISTER
ISLAND DEVELOPMENT & INDUSTRY.

DISTRICT OF AIWO
SCALE 1: 500



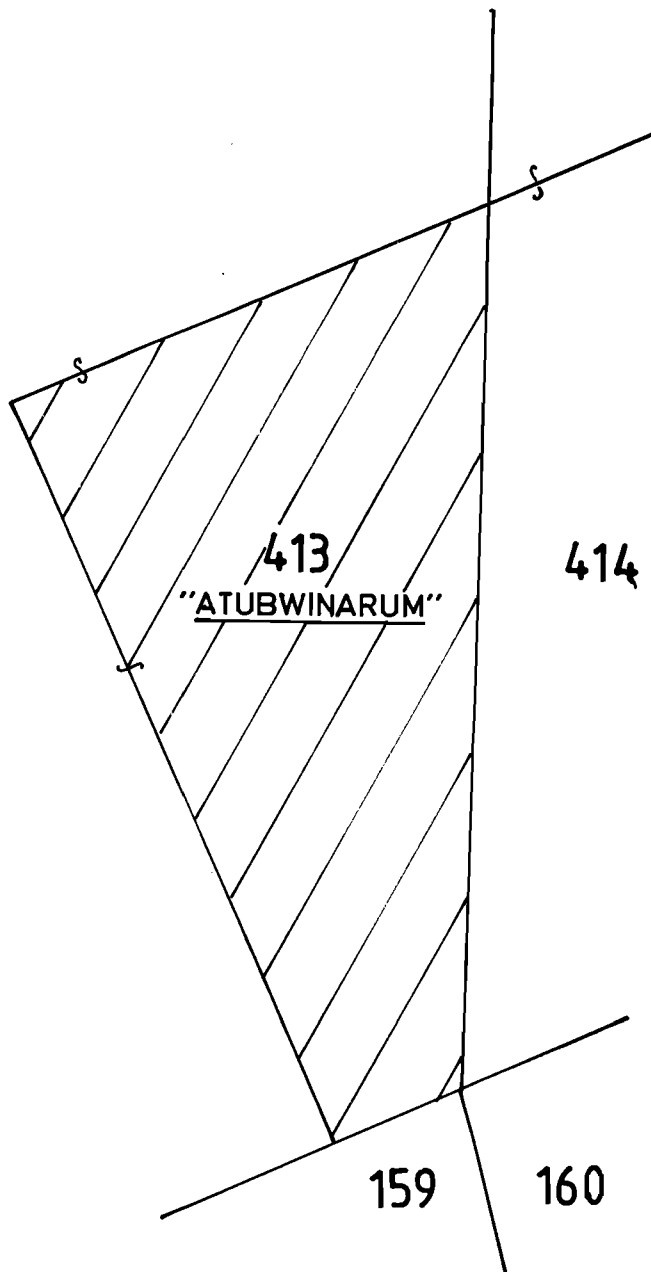
CLASSIFICATION OF LAND

BY VIRTUE of the powers vested in me by SECTION 7 of the LANDS ACT 1976, I HEREBY classify the land shown hatched on the plan hereunder as NON-PHOSPHATE BEARING LAND.


KENAS AROI
ACTING MINISTER
ISLAND DEVELOPMENT & INDUSTRY.

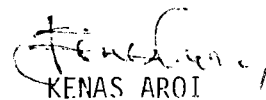
DISTRIC OF AIWO

SCALE 1:200



CLASSIFICATION OF LAND

BY VIRTUE of the powers vested in me by SECTION 7 of the LANDS ACT 1976, I HEREBY classify the Land shown hatched on the plan hereunder as NON-PHOSPHATE BEARING LAND.

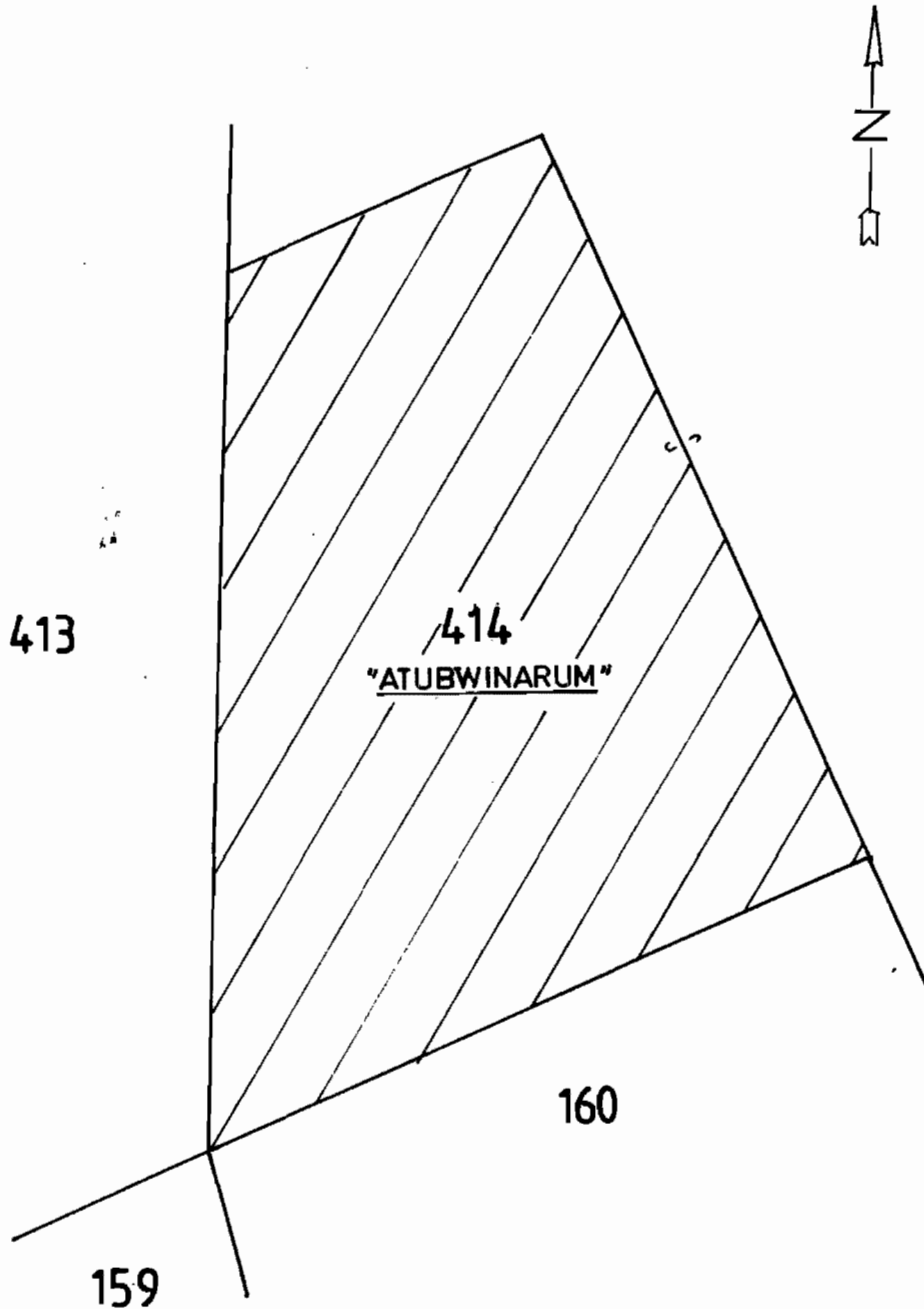

KENAS AROI

ACTING MINISTER
ISLAND DEVELOPMENT & INDUSTRY.

G.N.No.350/1985

DISTRICT OF AIWO

SCALE 1:200



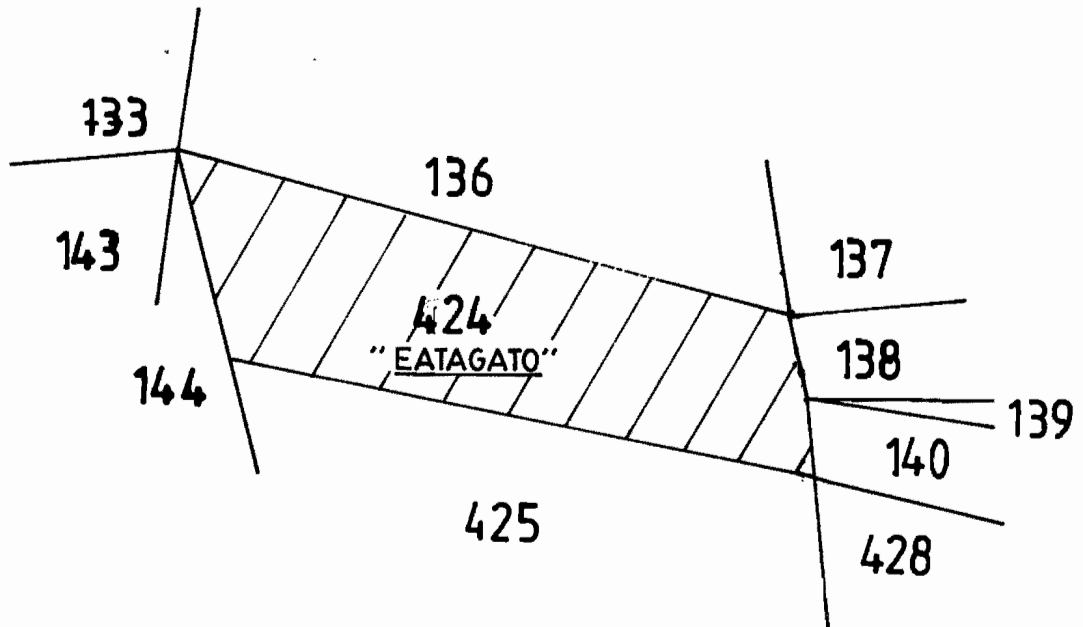
CLASSIFICATION OF LAND

BY VIRTUE of the powers vested in me by SECTION 7 of the LANDS ACT 1976, I HEREBY classify the land shown hatched on the plan hereunder as NON-PHOSPHATE BEARING LAND.


KENAS AROI
ACTING MINISTER
ISLAND DEVELOPMENT & INDUSTRY.

DISTRICT OF AIWO

SCALE 1:500

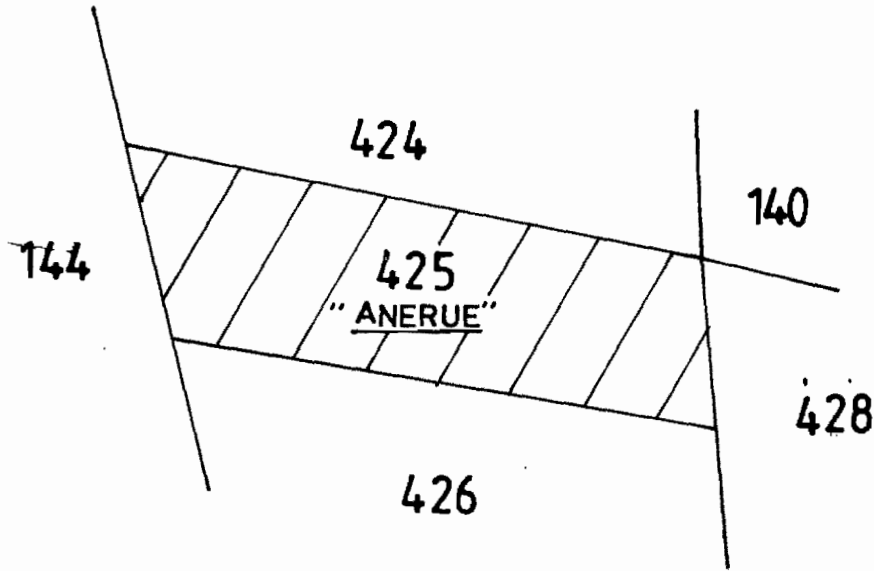


CLASSIFICATION OF LAND

BY VIRTUE of the powers vested in me by SECTION 7 of the LANDS ACT 1976, I HEREBY classify the land shown hatched on the plan hereunder as NON-PHOSPHATE BEARING LAND.


KENAS AROI
ACTING MINISTER
ISLAND DEVELOPMENT & INDUSTRY.

DISTRICT OF AIWO
SCALE 1:500

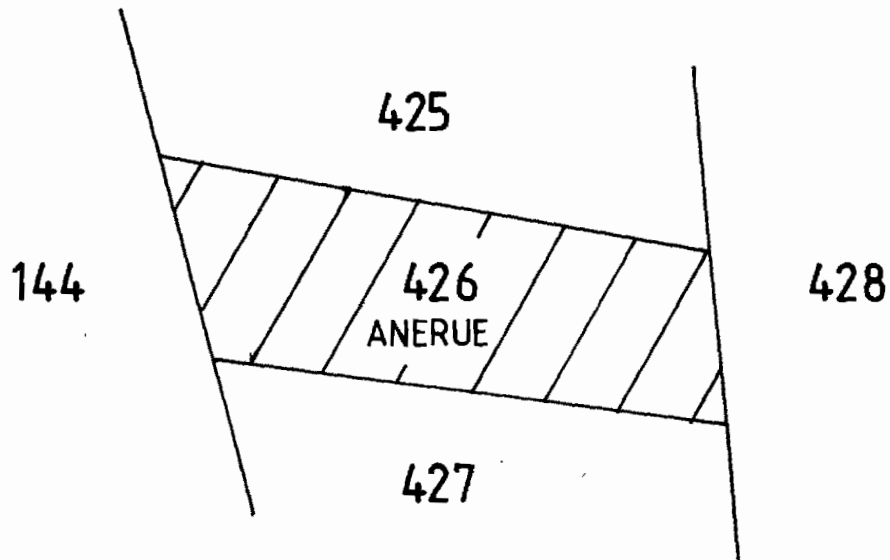
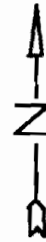


CLASSIFICATION OF LAND

BY VIRTUE of the powers vested in me by SECTION 7 of the LANDS ACT 1976, I HEREBY classify the land shown hatched on the plan hereunder as NON-PHOSPHATE BEARING LAND.


KENAS AROI
ACTING MINISTER
ISLAND DEVELOPMENT & INDUSTRY.

DISTRICT OF AIWO
SCALE 1:500

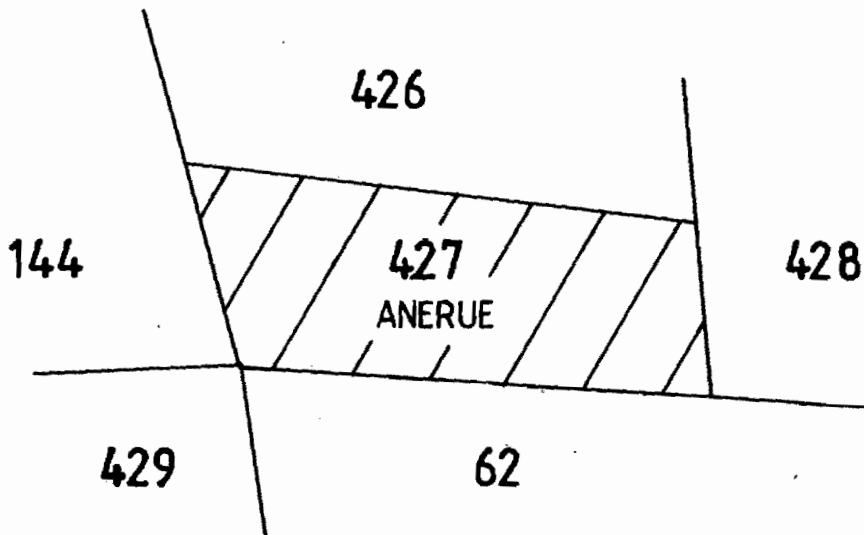
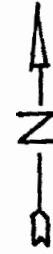


CLASSIFICATION OF LAND

BY VIRTUE of the powers vested in me by SECTION 7 of the LANDS ACT 1976, I HEREBY classify the land shown hatched on the plan hereunder as NON-PHOSPHATE BEARING LAND.


KENAS AROI
ACTING MINISTER
ISLAND DEVELOPMENT & INDUSTRY.

DISTRICT OF AIWO
SCALE 1:500

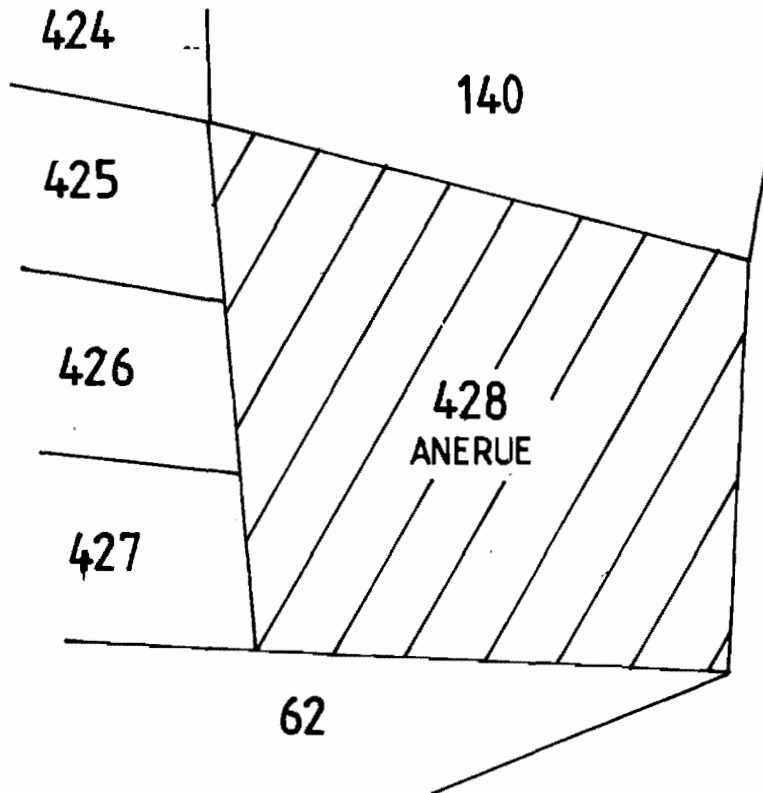
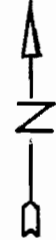


CLASSIFICATION OF LAND

BY VIRTUE of the powers vested in me by SECTION 7 of the LANDS ACT 1976, I HEREBY classify the land shown hatched on the plan hereunder as NON-PHOSPHATE BEARING LAND.


KENAS AROI
ACTING MINISTER
ISLAND DEVELOPMENT & INDUSTRY.

DISTRICT OF AIWO
SCALE 1:500



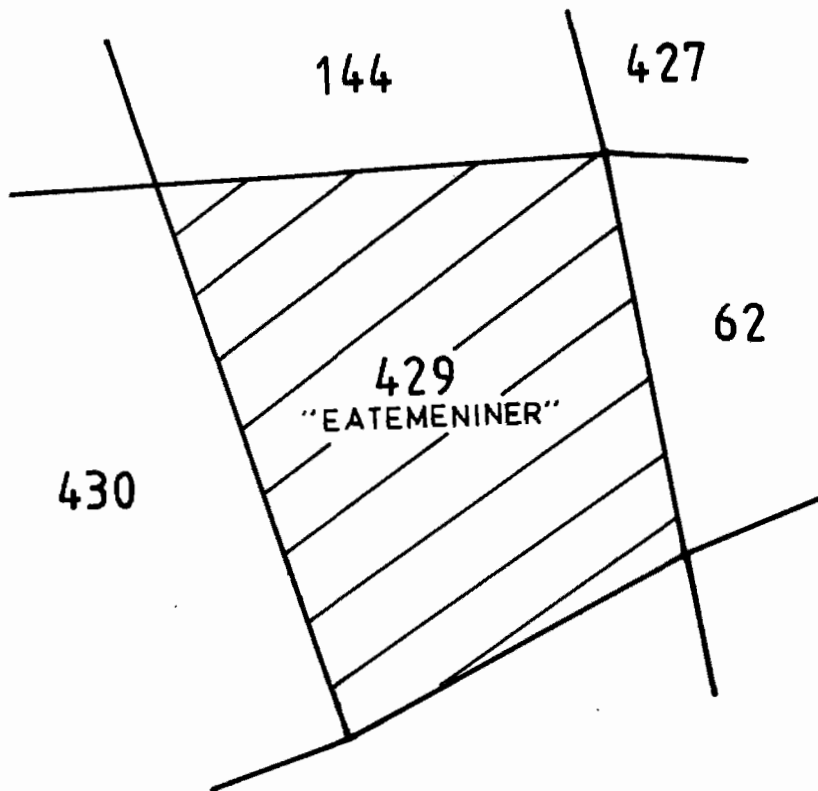
CLASSIFICATION OF LAND

BY VIRTUE of the powers vested in me by SECTION 7 of the LANDS ACT 1976, I HEREBY classify the land shown hatched on the plan hereunder as NON-PHOSPHATE BEARING LAND.


KENAS AROI

ACTING MINISTER
ISLAND DEVELOPMENT & INDUSTRY.

DISTRICT OF AIWO
SCALE 1:500

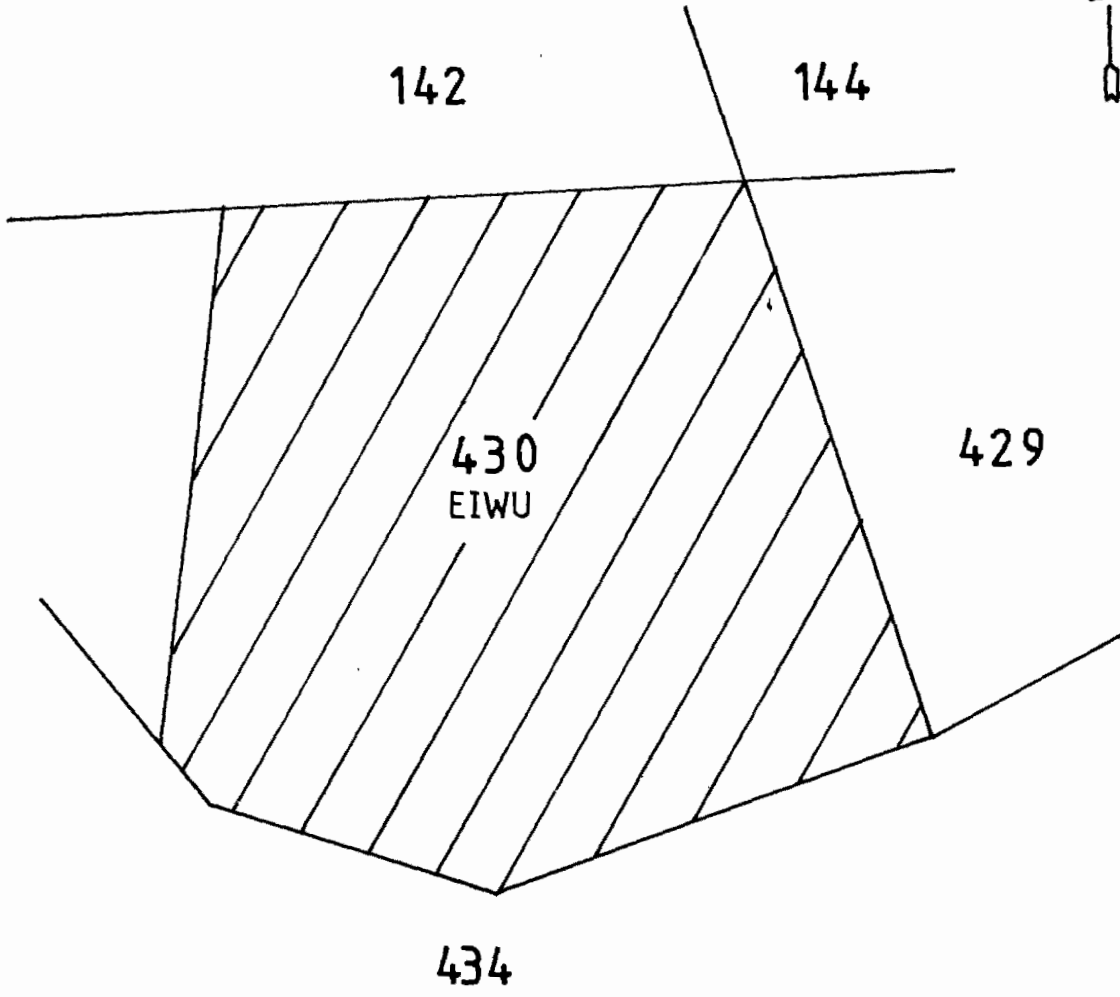
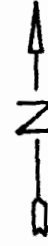


CLASSIFICATION OF LAND

BY VIRTUE of the powers vested in me by SECTION 7 of the LANDS ACT 1976, I HEREBY classify the land shown hatched on the plan hereunder as NON-PHOSPHATE BEARING LAND.

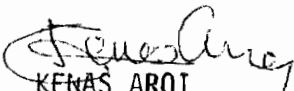

KENAS AROI
ACTING MINISTER
ISLAND DEVELOPMENT & INDUSTRY.

DISTRICT OF AIWO
SCALE 1:500



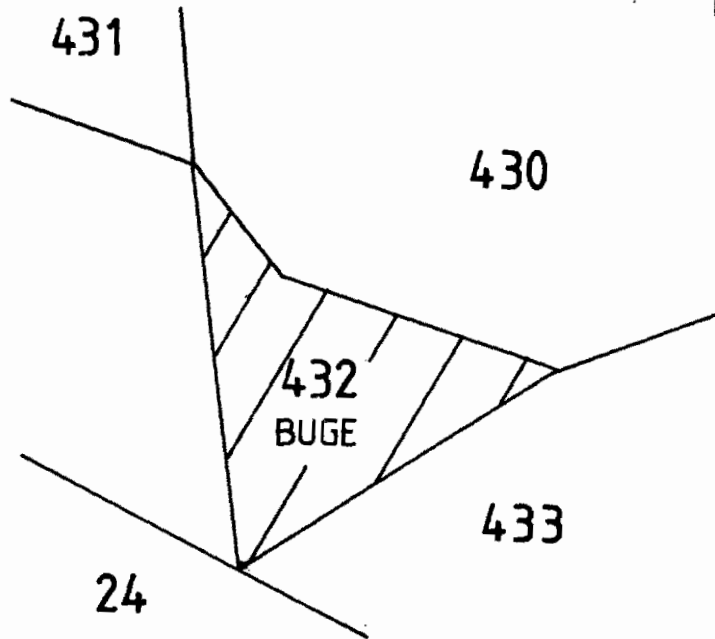
CLASSIFICATION OF LAND

BY VIRTUE of the powers vested in me by SECTION 7 of the LANDS ACT 1976, I HEREBY classify the land shown hatched on the plan hereunder as NON-PHOSPHATE BEARING LAND.


KENAS AROI

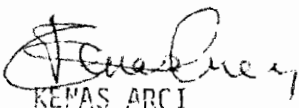
ACTING MINISTER
ISLAND DEVELOPMENT AND INDUSTRY.

DISTRICT OF AIWO
SCALE 1:500



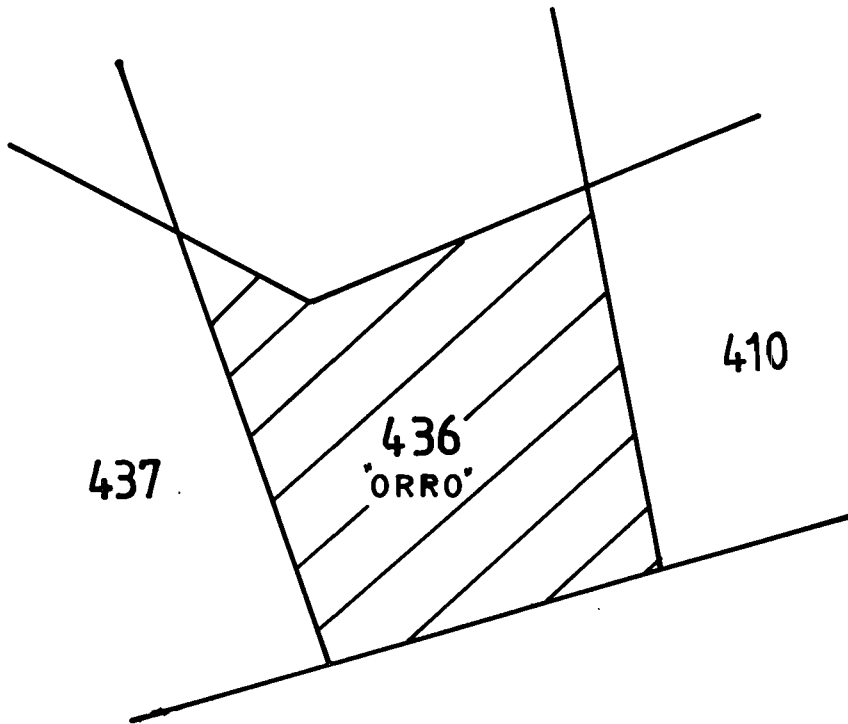
CLASSIFICATION OF LAND

BY VIRTUE of the powers vested in me by SECTION 7 of the LANDS ACT 1976, I HEREBY classify the land shown hatched on the plan hereunder as NON-PHOSPHATE BEARING LAND.


KEMAS ARCI

ACTING MINISTER
ISLAND DEVELOPMENT & INDUSTRY.

DISTRICT OF AIWO
SCALE 1:200

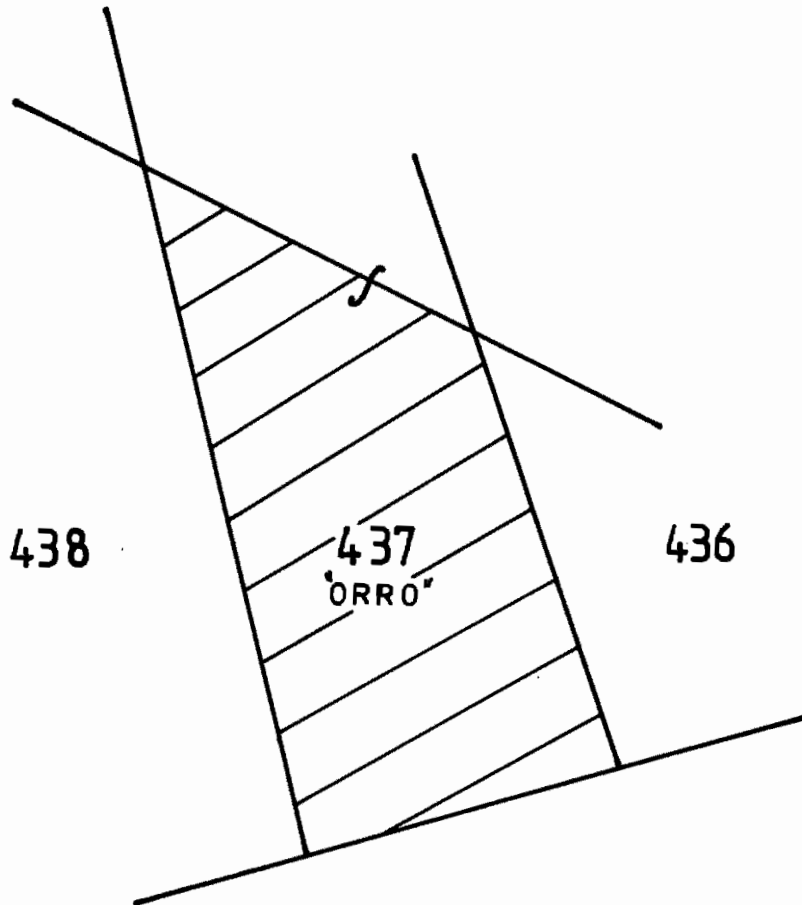


CLASSIFICATION OF LAND

BY VIRTUE of the powers vested in me by SECTION 7 of the LANDS ACT 1976, I HEREBY classify the land shown hatched on the plan hereunder as NON-PHOSPHATE BEARING LAND.

KENAS AROI
ACTING MINISTER
ISLAND DEVELOPMENT & INDUSTRY.

DISTRICT OF AIWO
SCALE 1:200



CLASSIFICATION OF LAND

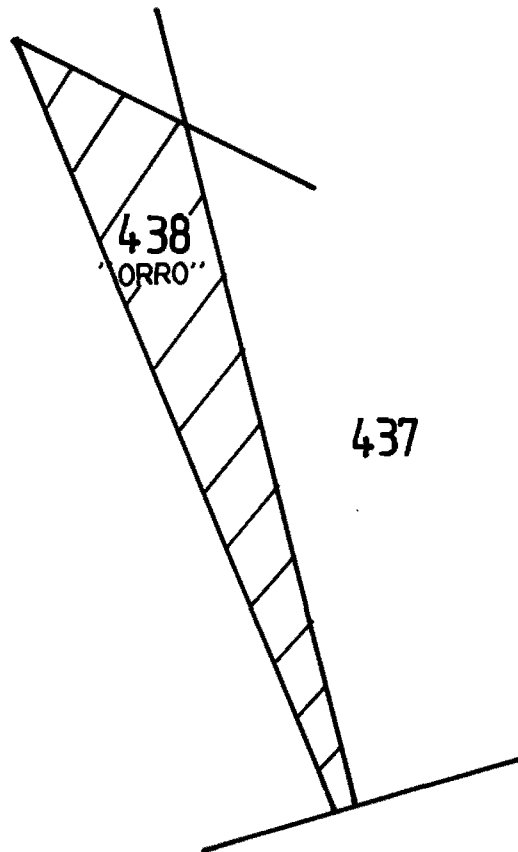
BY VIRTUE of the powers vested in me by SECTION 7 of the LANDS ACT 1976, I HEREBY classify the land shown hatched on the plan hereunder as NON-PHOSPHATE BEARING LAND.

[Handwritten Signature]
KEMAS AROI

ACTING MINISTER

LAND DEVELOPMENT & INDUSTRY.

DISTRICT OF AIWO
SCALE 1:200

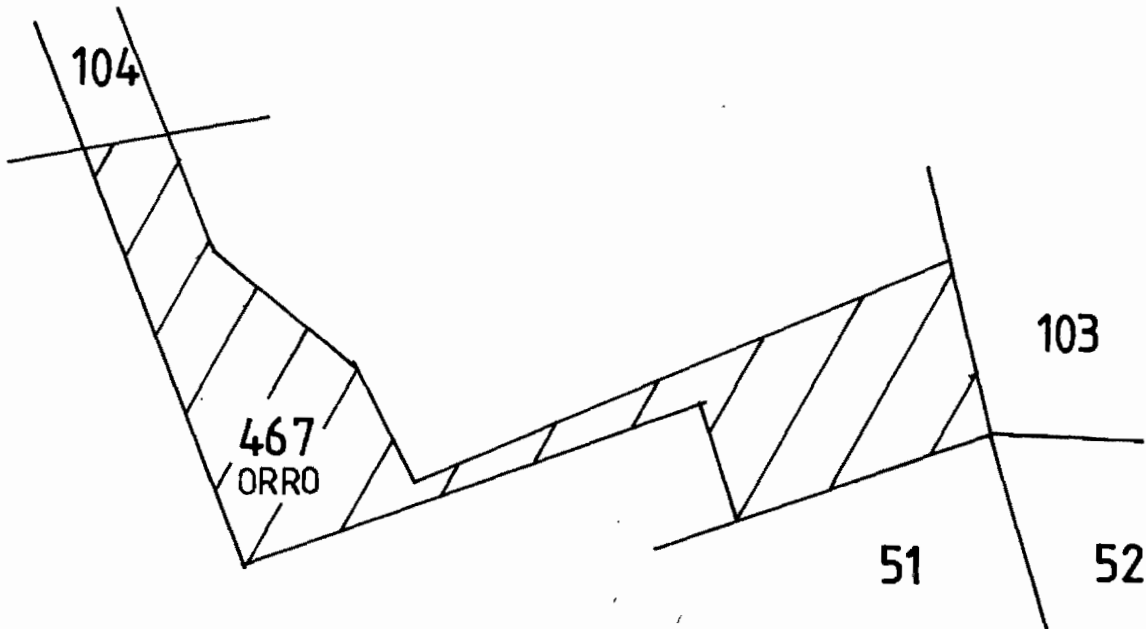
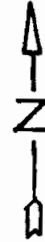


CLASSIFICATION OF LAND

BY VIRTUE of the powers vested in me by SECTION 7 of the LANDS ACT 1976, I HEREBY classify the land shown hatched on the plan hereunder as NON-PHOSPHATE BEARING LAND.

KEN'S AROT
ACTING MINISTER
ISLAND DEVELOPMENT & INDUSTRY.

DISTRICT OF AIWO
SCALE 1:500

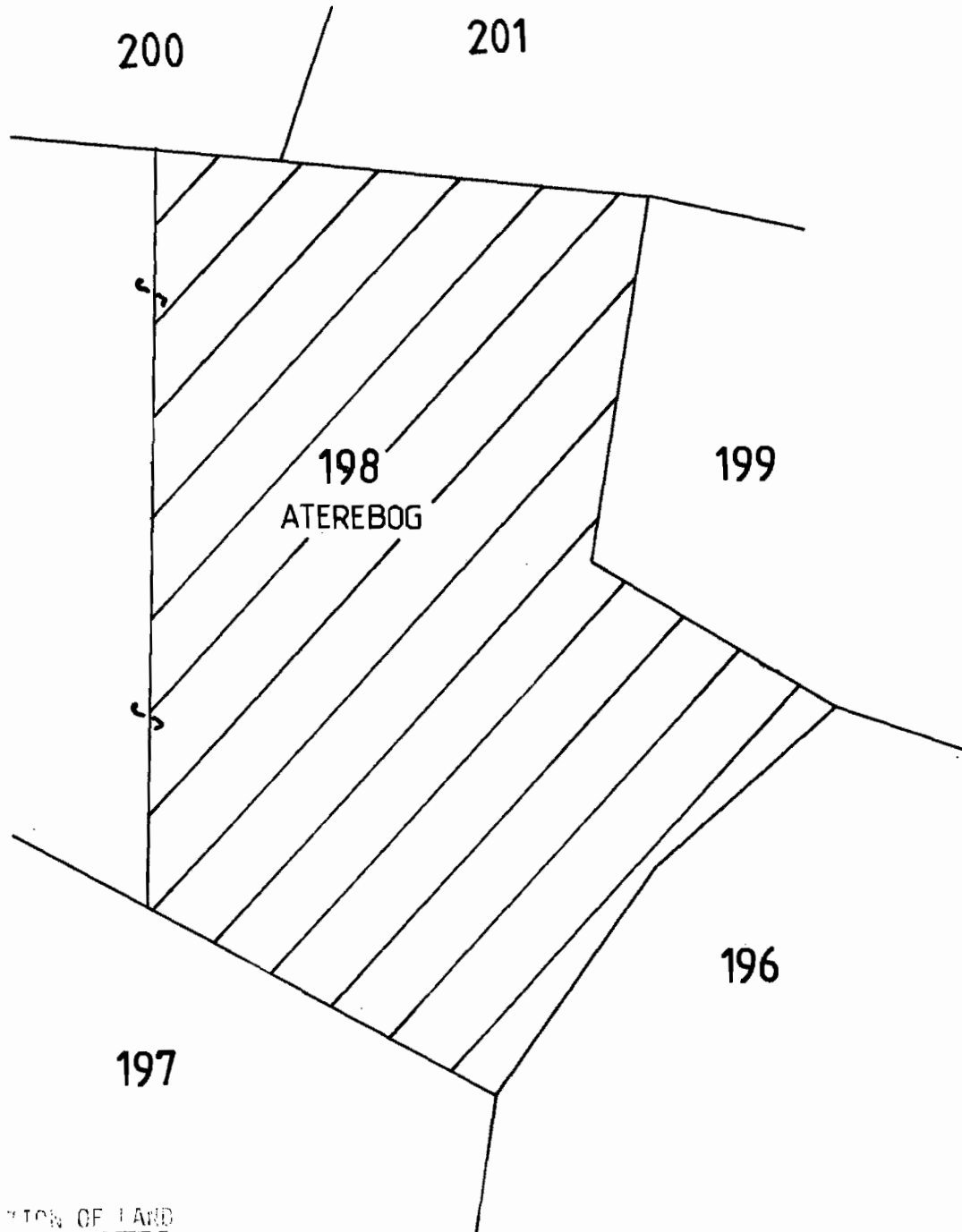


CLASSIFICATION OF LAND

BY VIRTUE of the powers vested in me by SECTION 7 of the LANDS ACT 1976, I HEREBY classify the land shown hatched on the plan hereunder as NON-PHOSPHATE BEARING LAND.

KENAS AROI
ACTING MINISTER
ISLAND DEVELOPMENT & INDUSTRY.

DISTRICT OF MENENG
Scale 1 500



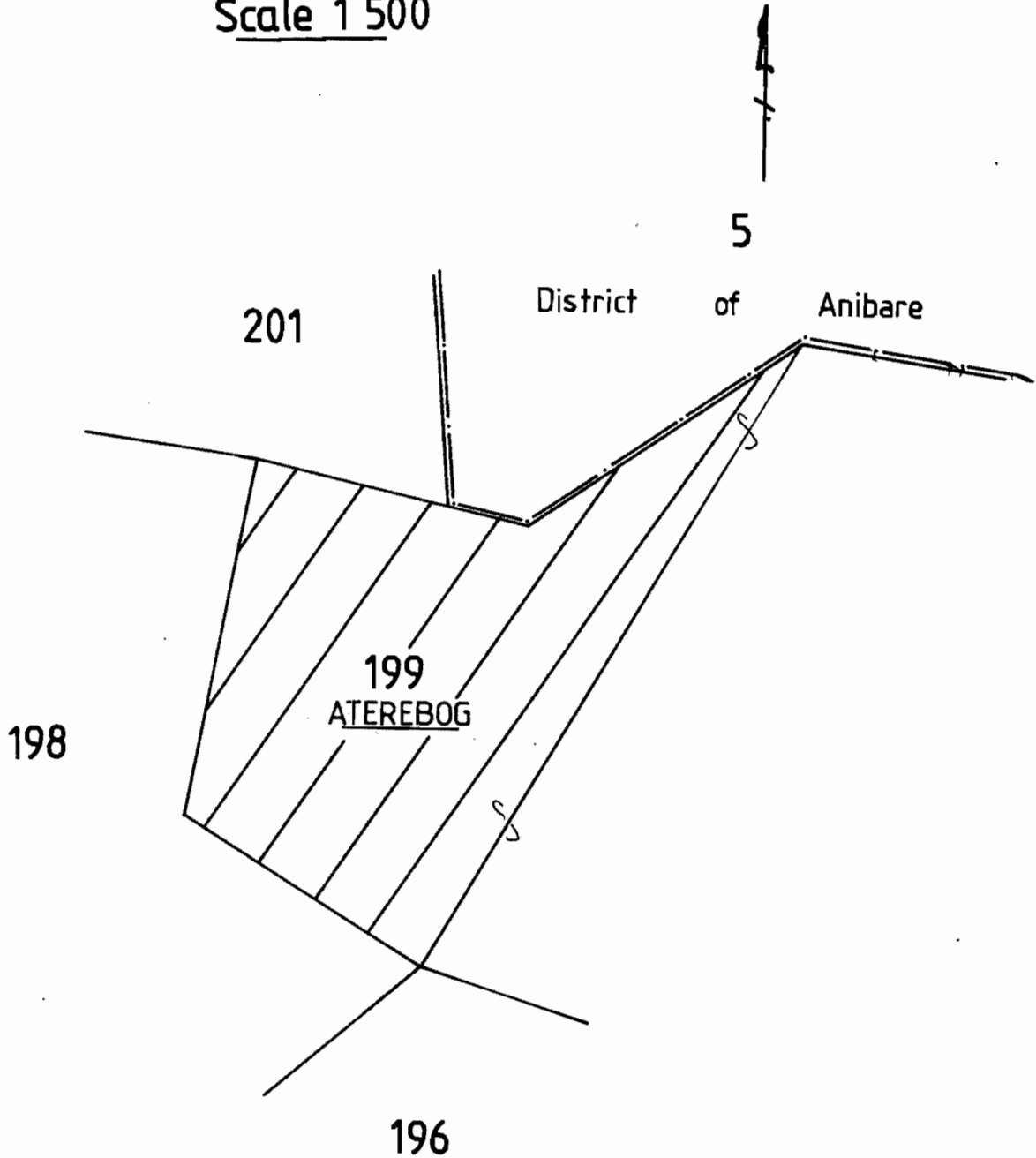
CLASSIFICATION OF LAND

BY VIRTUE of the powers vested in me by SECTION 1 of the LANDS ACT 1976, I HEREBY classify the land hereinafter matched on the plan hereunder as NON-PHOSPHATE DESIGNATED LAND.

ACTING MINISTER

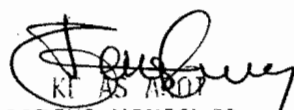
MINISTER OF LANDS AND SURVEY

DISTRICT OF MENENG
Scale 1 500



CLASSIFICATION OF LAND

BY VIRTUE of the powers vested in me by SECTION 7 of the LANDS ACT 1976, I HEREBY classify the land shown hatched on the plan hereunder as HO: - COMPETE BEL 5.0 LAID.


K. S. A. A. O.
ACTING MINISTER
ISLAND DEVELOPMENT AND INDUSTRY.