



REPUBLIC OF NAURU

Government Gazette

Published by Authority

No. 23

21st April, 1982

Nauru.

G.N. No. 95 /1982

R E P U B L I C O F N A U R U

COMPULSORY EDUCATION ORDINANCE 1921 - 1967

EXEMPTION FROM SCHOOL ATTENDANCE

It is hereby notified that, Cabinet, pursuant to Section 2(c) of the Compulsory Education Ordinance 1921 - 1967 has granted Olivia Deireragea and George Tsiode exemption from compulsory attendance at school with effect from March 3rd 1982.

Dated this 31st day of March 1982.

D.G. Lang
ACTING SECRETARY TO THE CABINET.

G.N. No. 96 /1982

PUBLIC SERVICE ACT 1961-1979

NOTICE OF RESIGNATION

The following resignation with effect from 5th March, 1982, is notified for information:

DEPARTMENT OF WORKS & COMMUNITY SERVICES

<u>NAME:</u>	<u>POSITION:</u>	<u>SALARY:</u>
AMWANO, Elsa	Painter	\$4932-\$5904 (T1/3)

Dated this 31st day of March, 1982.

D.G. Lang
A/PUBLIC SERVICE COMMISSIONER.

G.N. No. 97/1982

PUBLIC SERVICE ACT 1961-1979VACANCY : SECTION 20

Applications are invited from Nauruans for transfer, promotion or appointment to the following position:

DEPARTMENT OF JUSTICE

- POSITION: SECRETARY FOR JUSTICE
- SALARY: \$14940 p.a. S.3. (Fixed)
- DUTIES: Principal Legal adviser to the Republic and Head of the Department of Justice which has four professional staff. He acts as Director of Public Prosecutions and is also responsible for advising the Minister for Justice on Police and Immigration matters. Apart from giving General advice to Government Departments on Legal matters a considerable part of his daily work is concerned with drafting of Legislation. The Secretary for Justice also acts as Registrar of Motor Vehicles, Registrar of Banks, Registrar of Nauruan Ships, Registrar of Corporations and Controller of Customs and Immigration. He also performs functions of Attorney-General of the Republic.
- QUALIFICATIONS: At least ten years post qualifications experience as a Solicitor of Barrister preferably covering both Commercial and Criminal Law. Experience in an official post in an overseas Commonwealth Jurisdiction would be a distinct advantage.

Applications should be lodged in writing, stating name, age, experience and qualifications with the Chief Secretary on or before the 7th May, 1982.

Dated this 21st day of April, 1982.

D.G. Lang
A/PUBLIC SERVICE COMMISSIONER.

G.N. No. 98/1982

Determination of the Beneficiaries of the Estate of the late Einamorik . D. of Aiwo District

E S T A T E

1. The Nauru Lands Committee has ascertained that the late Einamorik D. had been determined by the decisions of the Nauru Lands Committee (or its predecessor the Lands Committee) to be the owner of the following land (s) :-

District	Portion No.	Type of Land	Name of Land	Gazette Notice of Ownership	Share
Aiwo	13	C/L	-	Vide/Lease R/227 1938	All

G.N. No. 99/1982

DETERMINATION OF BENEFICIARIES

2. The Nauru Lands Committee has determined that the beneficiaries of the estate of the late Einamorik D. are:-

(a) in respect of the land shown in paragraph 1 above:

District	Portion No.	Name of Land	Beneficiaries	Share
Aiwo	13	-	Nimrod Deiyoura	All

NOTE:

The Nauru Lands Committee's decision as to the beneficiaries of the estate of the late Einamorik D. was published in Gazette No.G/45/70 G/N.No.210 1970.

Any person who is dissatisfied with the distribution of the above estate may appeal to the Supreme Court within 21 days of the publication of the Gazette.

J.A. Daguape
VICE CHAIRMAN.

G.N. No. 100/1982

CORRIGENDUM

The Committee wishes to announced to the Public it's corrigendum to G/No 49/1964 on Page 7 on the proposed Owners and shares only.

Delete:	Edoar	1/4
	Duburiya	1/4
	Eipangatsi	1/4
	Akibwib	1/4
Insert:	Edoar D.	1/5
	Duburiya D.	1/5
	Eipangatsi D.	1/5
	Akibwib A.	1/5
	Eigierum D. (LTO)	1/5

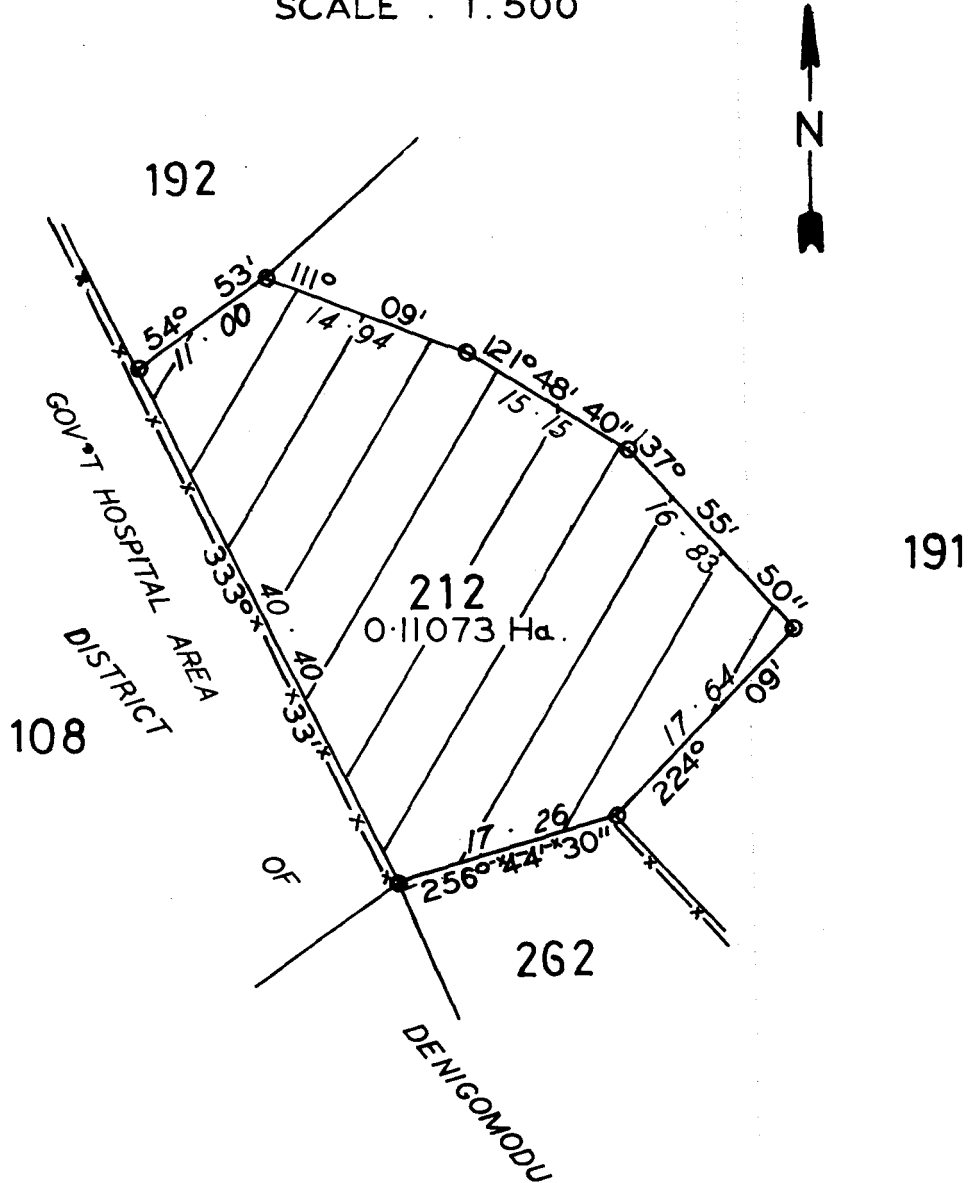
J.A. Daguape
VICE CHAIRMAN.

G.N. No. 101/1982

CLASSIFICATION OF LAND

BY VIRTUE of the powers vested in me by SECTION 7 of the LANDS ACT 1976, I HEREBY classify the land shown hatched on the plan hereunder as NON-PHOSPHATE BEARING.

DISTRICT OF NIBOK
SCALE : 1:500



(HAMMER DEROBURT)

MINISTER

ISLAND DEVELOPMENT AND INDUSTRY