



REPUBLIC OF NAURU

Government Gazette

Published by Authority

No. 19

7th April, 1982

Nauru

G.N. No. 71/1982

PUBLIC SERVICE ACT 1961-1979

NOTICE OF RESIGNATION

The following resignation with effect from 19th March, 1982 is notified for information:

DEPARTMENT OF WORKS & COMMUNITY SERVICES

<u>Name:</u>	<u>Position:</u>	<u>Salary:</u>
TAMAKIN Ralph	Foreman (Mechanical Servicing).	\$6348-\$6492 T4

Dated this 6th day of April, 1982.

D.G. Lang
ACTING PUBLIC SERVICE COMMISSIONER.

G.N. No. 72/1982

BIRTHS, DEATHS AND MARRIAGESORDINANCE 1957-1967

Births, Deaths and Marriages registered the week ended 7th April, 1982 were:-

BIRTHS1. NAURUAN

Name	Date of Birth	Sex	Reg'd District	Mother's Name
Quint John-Franko Nickson	16.8.80	M	Denigomodu	Sarah Heinrich
Gregory Nikon Baltasar	16.10.81	M	Denigomodu	Victoria Garoa
Greg Estrada Melvin				
Felix Wayne Glen	25.10.80	M	Denigomodu	Victoria Garoa
Ayed Haddad	4.11.80	M	Nibok	Verna Detageauwa
Vada Belezza	12.12.80	F	Meneng	Marjorie Grundler
Danielle Victoria Milly	15.6.81	F	Uaboe	Myrle Magin
Lierina Fakaneke				
Chantal Moana Lisa	24.7.81	F	Meneng	Thelma Botelanga
Maria - Anginette Ivoree				
Shanez Eidebenang Dugia				
Nuea	9.8.81	F	Baitsi	Taam Garabwan
Avina Lovica Eidaganmaiye				
Kelinda Sernania				
Purity	6.9.81	F	Buada	Triphena Demauna
Jolleen Isabelle	31.10.81	F	Anabar	Priscilla Adam
Janson Jayvino Iyuga	31.10.81	M	Baitsi	Myra Hemedez
Maxine Marguerite Edeyebwit	28.10.81	F	Aiwo	Marian Garoa
Lilac Viclohena				
Benedauzar Millicar				
Twiggy Dezza Lirina				
Eigagibo	28.10.81	F	Denigomodu	Blossom Dediya
Jensa Delvina	28.10.81	F	Buada	Joan Detenamo
Janice Bevonnie				
Krista Pania	28.10.81	F	Buada	Esther Karl
Rizaal Hobson	27.10.81	M	Meneng	Cynthia Timothy
Rint Fidelis	25.10.81	M	Denigomodu	Sarah Hubert

G.N. No. 72/1982 (Cont'd)

Joanne Janima				
Norleen Eninanabo	24.10.81	F	Boe	Shield Harris
Marita-May Berenise				
Lucy Felisha Sera-Jane				
Eiwowa Valentine	21.10.81	F	Boe	Coral Star
Primrose Paulyne Samara				
Roselyne Aroida Clementine				
Teatiur iki Pennethed				
Livinise Eididabwan	19.10.81	F	Meneng	Avila Smythe
Eanumi Marigold	18.10.81	F	Boe	Marigold Ephraim
Olga Myra Marlyn	14.10.81	F	Boe	Myda Batsiua
Colman Carlby	9.10.81	M	Boe	Vira Capelle
Kane John Jason				
Ijiemar Bagauwea	8.10.81	M	Uaboe	Darren Tsiode
Abel James Mason				
Igana Bagaunun	8.10.81	M	Uaboe	Darren Tsiode
Randall Rockarny				
Nelson Cornelius	7.10.81	M	Aiwo	Kathy Agir
Bugerio Stacey				
Trevino Andy Naas	6.10.81	M	Aiwo	Jocelyn Adam
Bugeroge Lynley Emerson				
Yancy Bambino	6.10.81	M	Aiwo	Jocelyn Adam
Ella Francisca				
Eimmadep	4.10.81	F	Anetan	Emaino Daguape
Suli Rahel Rejoice				
Delvene	3.10.81	F	Meneng	Maele Deduna

2. O.P.I.

Name	Date of Birth	Sex	Residence
Teakoisi Viliamu	3.3.82	F	NPC Location Settlement
Raita Tematang	7.1.82	F	" "
Paloko Peiauni	23.2.82	F	" "
Tapuanu Tetoati	6.2.82	F	" "
Matapoga Katea	13.2.82	M	" "
Penika Solomona	10.3.82	F	" "

3. CHINESE

Name	Date of Birth	Sex	Residence
Fung Kar Fai	7.11.81	M	NPC Location Settlement
Fung Yew-Tong	1.1.82	M	" "
Leung Siu Ngor	15.1.82	F	" "

G.N. No. 72/1982 (Cont'd)

DEATHS1. NAURUAN

Name	Date of Death	Sex	Age	Reg'd District	Tribe
Robroson					
Elliot Halstead	19/3/81	M	61	Meneng	Iruwa
Boiyararan Aeomage	30/5/80	M	28	Anabar	"
Jeramon Harris	7/2/82	M	33	Boe	Eoaru
Anginibe Auriom	26/2/82	M	51	Buada	Eoaru
Stephen Baueli Detogi					
Akaraba	27/2/82	M	20	Ijuw	Emea

2. O.P.I.

Name	Date of Death	Sex	Residence
Un-named Child of Matarina Kum Kee	26.3.82	M	Location Settlement

MARRIAGES

Vinci Degia of Anabar and Wilma Desiree Appi of Boe District on 1st March 1982 by the Rev. Itubwa Amram at Orro Central Church, Nauru.

Malie Botelanga of Meneng and Patrina Bop also of Meneng District on 27th February 1982 by the Rev. Itubwa Amram at Orro Central Church, Nauru.

Dehavilland Deireragea of Ewa and Nelda Dube of Aiwo District on 27th February 1982 by the Rev. Labi D.Harris at Nauru Independent Church.

Gillespie Dabana of Anibare and Rae Karen Olsson of Meneng District on 18th September 1981, by the Rev. Fr.B.Lahn at Arubo Catholic Church, Nauru.

Leslie Aliklik of Nibok and Gillian Deireragea of Anetan District on 27th November 1981, by Pastor James P. Aingamea at Tsiminita's Memorial Church, Denigomodu, Nauru.

Nicholas Hubert of Baitsi and Sarah Heinrich of Ewa District on 9th October 1981, by the Rev. Fr. Bernard Lahn at Arubo Catholic Church, Nauru.

Washington Appi of Boe and Mary Morran Gadaraoa of Uaboe District on 13th October 1981, by the Rev. Fr. Bernard Lahn at Arubo Catholic Church, Nauru.

Tengeri Teata of Kiribati and Nei Teroti Tiare also of Kiribati, on 3rd September 1981, by the Rev. Fr. Bernard Lahn at Arubo Catholic Church, Nauru.

Nicolas Yanaw Duburiya of Anetan and Lira Phyllis Aremwa of Boe on 31st July 1981, by the Rev. Fr. Bernard Lahn at Arubo Catholic Church, Nauru.

G.N. No. 72/1982 (Cont'd)

Sandy Dabuae of Aiwo and Patricia Magdalena Dongobir of Baitisi District, on 23rd October 1981, by the Registrar of Births, Deaths and Marriages at Government Offices, Yaren, Nauru.

Aaron Cook of Aiwo and Corina Shra Detudamo of Uaboe District on 18th July 1981, by Pastor James P. Aingimea at Detudamo's Memorial Church, Nauru.

Maselino Kingrae of Uaboe and Nei Retta Edward of Ijuw District on 10th July 1981, by Pastor James P. Aingimea at Tsiminita's Memorial Church, Nauru.

B. Ika
DEPUTY REGISTRAR
BIRTHS DEATHS & MARRIAGES

G.N. No. 73/1982

ENGAGEMENT TO MARRY

Name of Parties:

1. HANSOME ADUMUR of Denig and ZARRA MWAREOW of Nibok Districts on 17th March, 1982.
2. RIDDELL AKUA of Anibare and CARRIE DEMAUNA of Buada Districts on 19th March, 1982.

E. Tsitsi
SECRETARY.

G.N. No. 74/1982

Determination of the Beneficiaries of the Estate of the late Moanara Olsson of Anetan District.

E S T A T E

1. The Nauru Lands Committee has ascertained that the late Moanara Olsson had been determined by the decisions of the Nauru Lands Committee (or its predecessor the Lands Committee to be the owner of the following lands :-

District	Portion No.	Type of Land	Name of Land	Gazette Notice of Ownership	Share
Ijuw	4	P/L	Mwange	35/73	1/16 (LTO)
Anibare	282	P/L	Mockin	35/73	1/20 (LTO)

DETERMINATION BENEFICIARIES

2. The Nauru Lands Committee has determined that the beneficiaries of the estate of the late Moanara Olsson are :-

(a) in respect of the land shown in paragraph 1 above :

District	Portion No.	Name of Land	Beneficiaries	Share
Anibare	282	Mockin	Mariam Rodenhurst	1/60
			Atsime Eongen	1/180
			Ijabe Eongen	1/1980
			Ulaf Eongen	1/1980
			Janet Deireragea	1/1980
			Helen Herman	1/1980
			Iban Eongen	1/1980
			David Eongen	1/1980
			Belsa Eongen	1/1980
			Lageo Eongen	1/1980
			Janese Eongen	1/1980
			Eidanago Eongen (LTO)	1/1980
			Susan Eongen	1/1980
			Nicolaus Yanaw.D.	1/1620
			Zyda Miriam Detenamo	1/1620
			Peter Rurundais.D.	1/1620
			Hans Phillip.D.	1/1620
			Henry Dedu.D.	1/1620
			Victorina Iow.D.	1/1620
			Mary Eiguruben.D.	1/1620
			Natalie Jcanna.D.	1/1620
			Abatir.Ika. (LTO)	1/1620

G.N. No. 74/1982 (Cont'd)

			John Daroa Olsson	1/480
			Donbeiya Olsson	1/480
			Agedori.D.Olsson	1/480
			Jimmy Olsson	1/480
			Toeri Olsson	1/480
			Eidiringa Beyedage	1/480
			Eibware.T.Olsson (LTO)	1/480
		Marina Olsson	(Malvina.N.Eibware	1/1920
		T/ee	(Edourd Nobet Olsson	1/1920
			(Tedwyn.T.K.Olsson	1/1920
			(Darina.Jady.E.E.olsson	1/1920
Ijuw	4	Mwange	Miriam	1/48
			Atsime.Eongen	1/144
			Ijabe.Eongen	1/1584
			Ulaf.Eongen	1/1584
			Janet Deireragea	1/1584
			Helén Herman	1/1584
			Iban Eongen	1/1584
			David Eongen	1/1584
			Belsa Eongen	1/1584
			Lageo Eongen	1/1584
			Janese Eongen	1/1584
			Susan Eongen	1/1584
			Eidanago Eongen (LTO)	1/1584
			Nicolaus Yanaw.D.	1/1296
			Zyda Miriam.Detenamo	1/1296
			Peter Rurundais.D.	1/1296
			Hans Phillip.D.	1/1296
			Henry Dedu.D.	1/1296
			Victorina.Iow.D.	1/1296
			Mary Eiguruben.D.	1/1296
			Natalie Joanna.D.	1/1296
			Abatir.Ika (LTO)	1/1296
			John Daraoa.Olsson	1/384
			Donbeiya Olsson	1/384
			Agedori.D.Olsson	1/384
			Jimmy Olsson	1/384
			Toeri Olsson	1/384
			Eidiringa Beyedage	1/384
			Eibware.T.Olsson (LTO)	1/384
		Marina Olsson	(Malvina.N. Eibware	1/1536
		T/ee	(Edourd Nobet Olsson	1/1536
			(Tedwyn.T.K.Olsson	1/1536
			(Darina.Jady.E.E.Olsson	1/1536

G.N. No. 74/1982 (Cont'd)

NOTE:

The Nauru Lands Committee's decision as to the beneficiaries of the estate of the late Dan.T.Olsson was published in Gazette No. 51/75.

The Nauru Lands Committee's decision as to the beneficiaries of the estate of the late Johanna Amwari was published in Gazette No. 67/79.

The Nauru Lands Committee's decision as to the beneficiaries of the estate of the late Thomas Olsson was published in Gazette No. 56/72.

The Nauru Lands Committee's decision as to the beneficiaries of the estate of the late Phillip Olsson was published in Gazette No. 35/73.

The Nauru Lands Committee's decision as to the beneficiaries of the estate of the late Ruth Rodiben Olsson was published in Gazette No. 19/1981.

Any person who is dissatisfied with the distribution of the above estate may appeal to the Supreme Court within 21 days of the publication of the Gazette.

DATED 8th March, 1982.

J.A. Daguape
VICE CHAIRMAN.

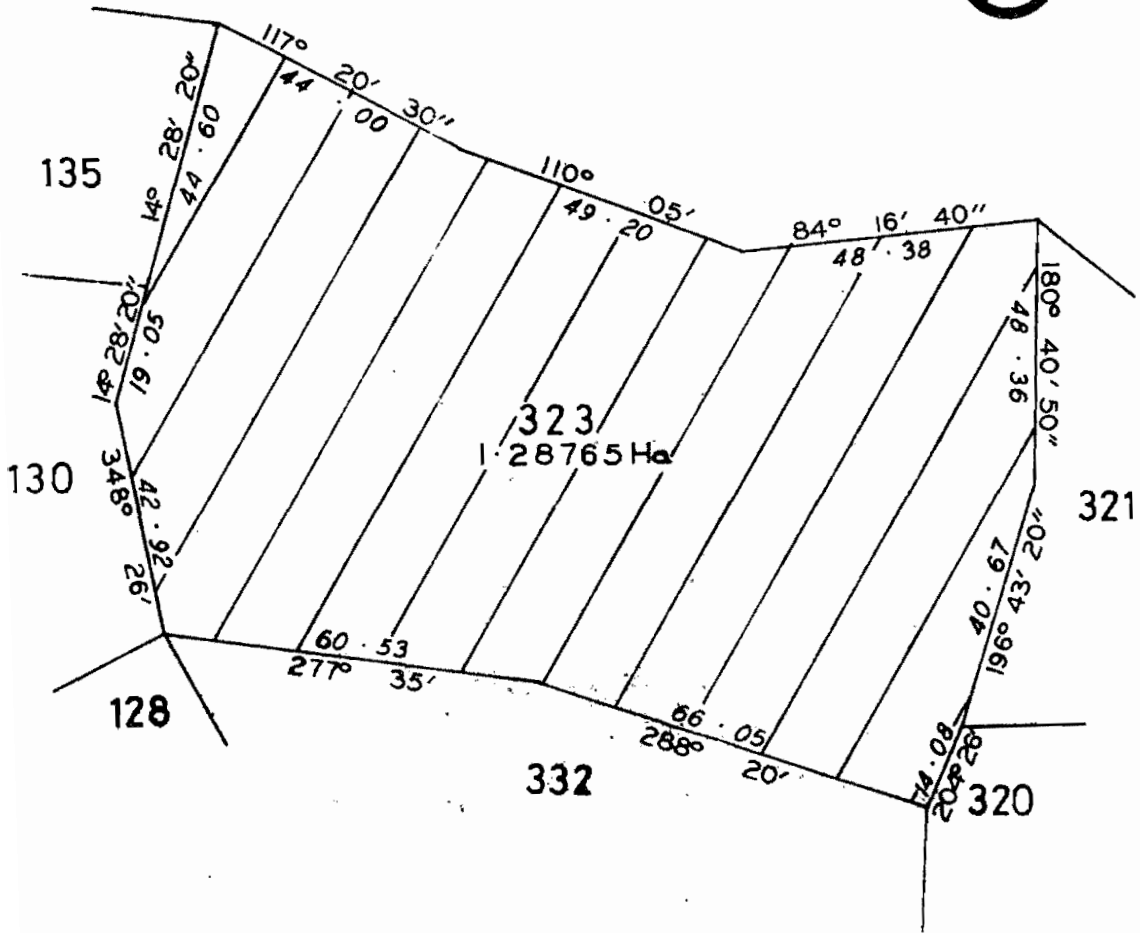
G.N. No. 75/1982

CLASSIFICATION OF LAND

BY VIRTUE of the powers vested in me by SECTION 7, of the LANDS ACT 1976, I HEREBY classify the land shown hatched on the plan here under as NON-PHOSPHATE BEARING.

DISTRICT OF BUADA

SCALE : 1:1000



Hammer Derobert
(HAMMER DEROBURT)
MINISTER

ISLAND DEVELOPMENT AND INDUSTRY

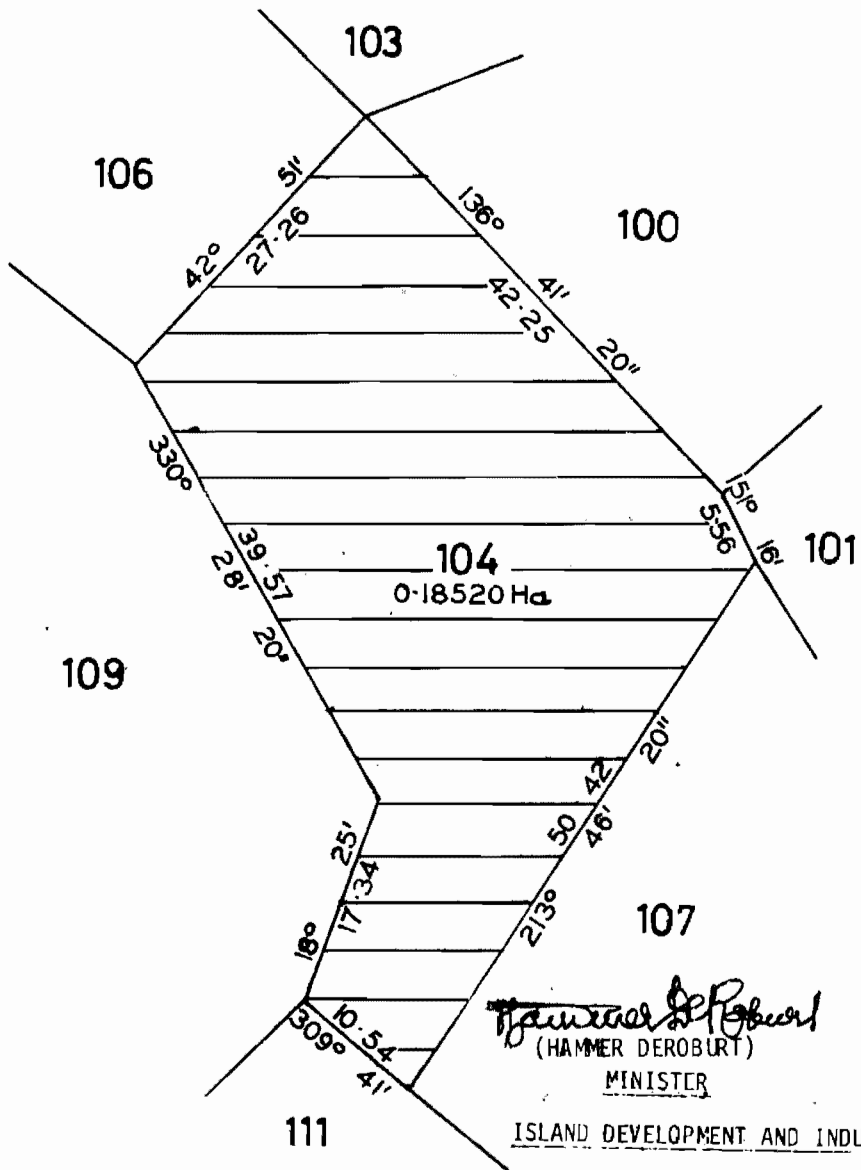
G.N. No. 88/1982

CLASSIFICATION OF LAND

BY VIRTUE of the powers vested in me by SECTION 7 of the LANDS ACT 1976, I HEREBY classify the land shown hatched on the plan hereunder as NON-PHOSPHATE BEARING.

DISTRICT OF BAITI

SCALE: 1:500

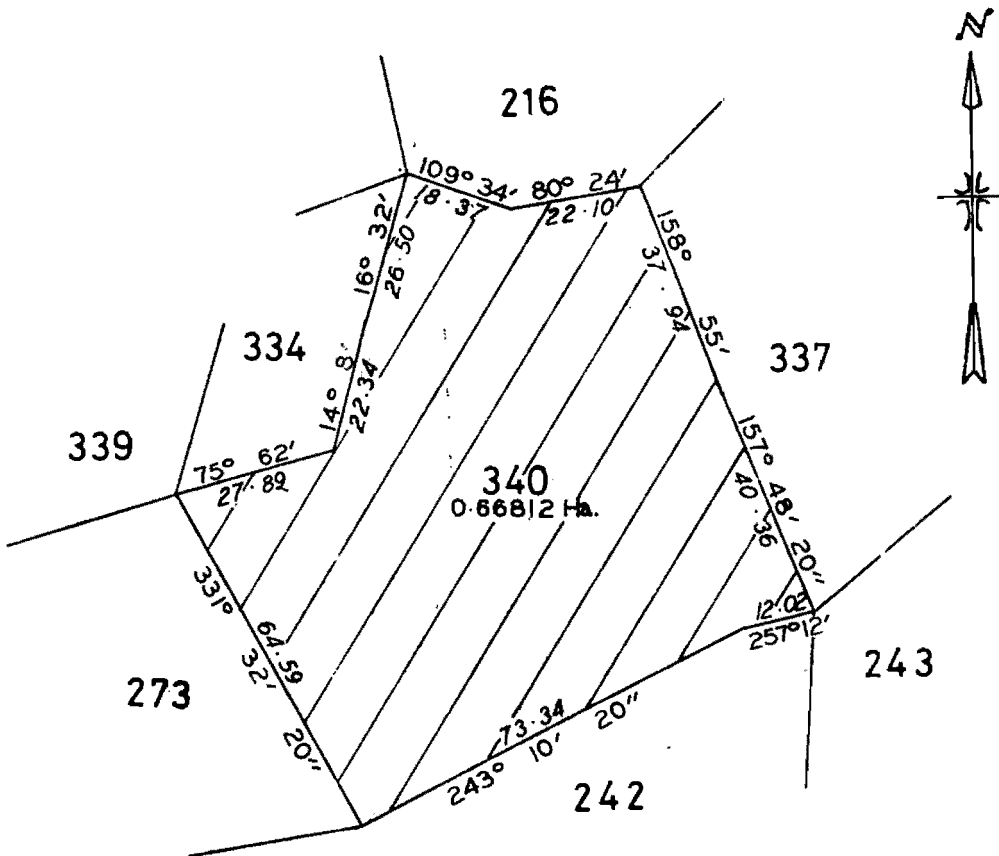


CLASSIFICATION OF LAND

BY VIRTUE of the powers vested in me by SECTION 7 of
the LANDS ACT 1976, I HEREBY classify the land shown
hatched on the plan hereunder as NON-PHOSPHATE BEARING.

DISTRICT OF BUADA

SCALE : 1:1000



Francis X. Robert
(HAMMER DEROSURT)
MINISTER

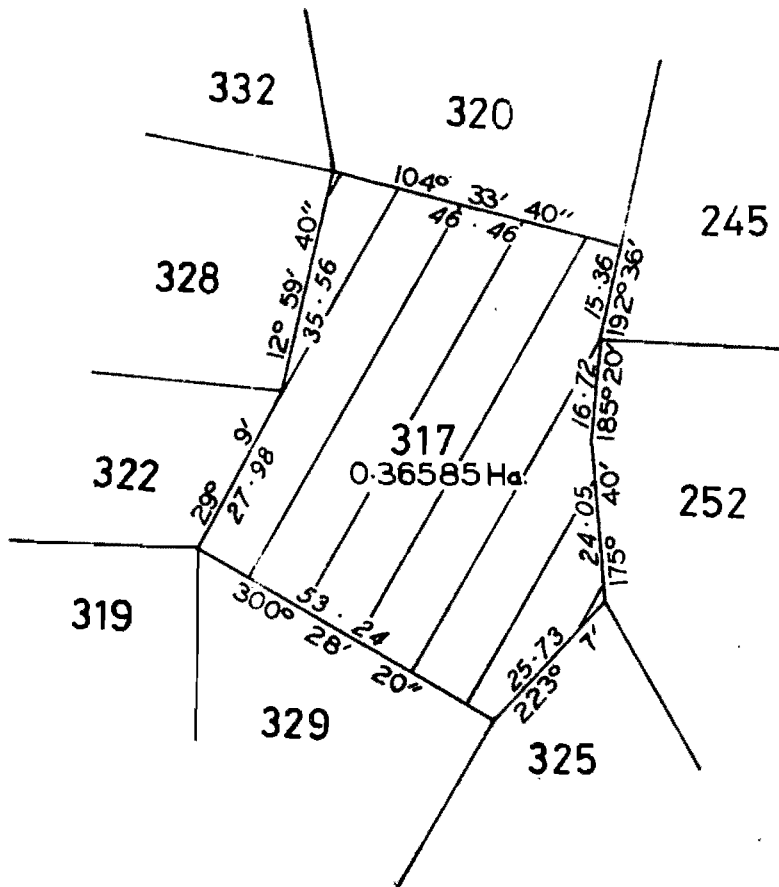
ISLAND DEVELOPMENT AND INDUSTRY

G.N. No. 77/1982

CLASSIFICATION OF LAND

BY VIRTUE of the powers vested in me by SECTION 7 of the LANDS ACT 1976, I HEREBY classify the land shown hatched on the plan hereunder as NON-PHOSPHATE BEARING.

DISTRICT OF BUADA
SCALE : 1:1000



Hammer Derobert
(HAMMER DEROBURT)

MINISTER

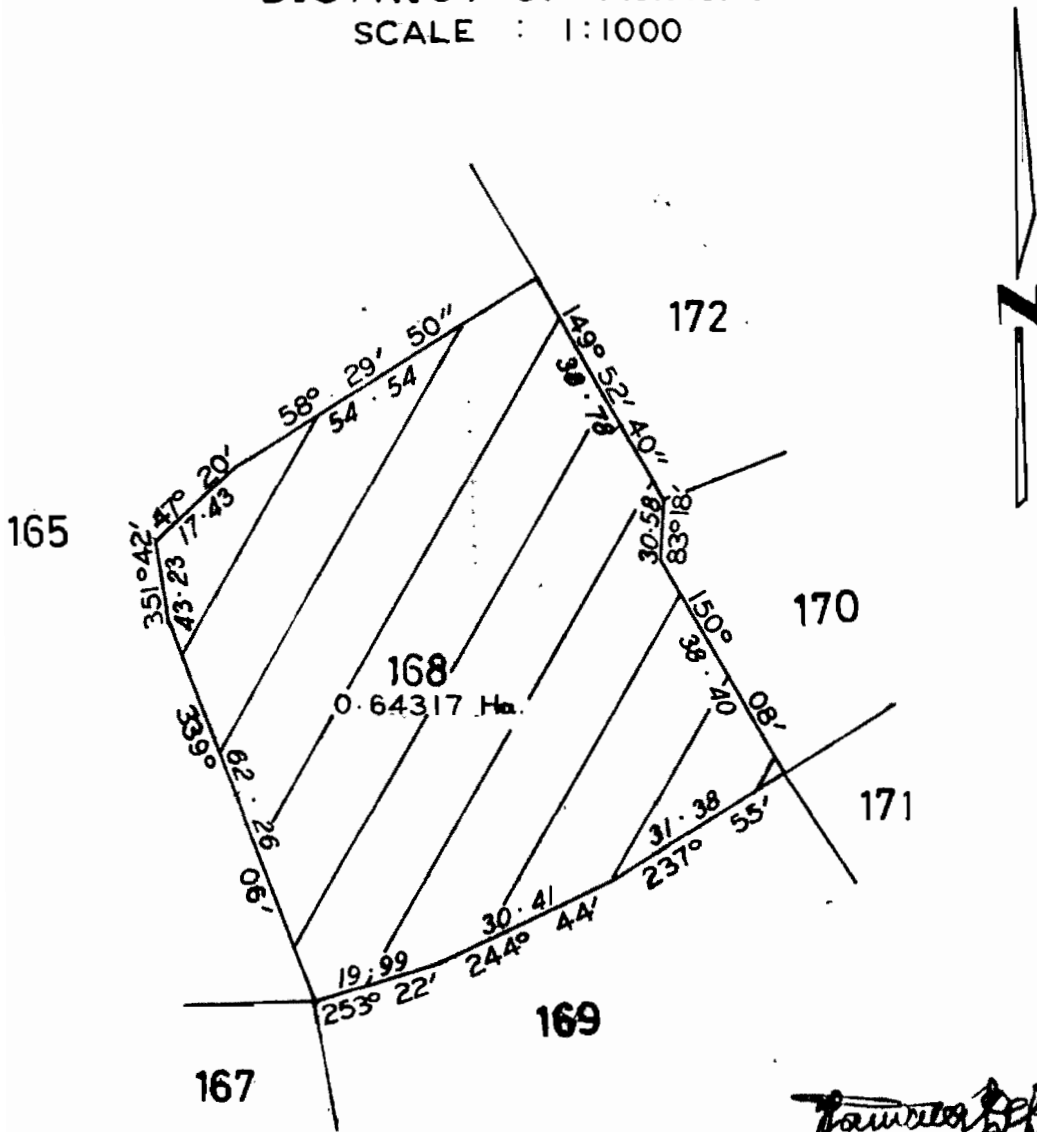
ISLAND DEVELOPMENT AND INDUSTRY

CLASSIFICATION OF LAND

BY VIRTUE of the powers vested in me by SECTION 7 of the LANDS ACT 1976, I HEREBY classify the land shown hatched on the plan hereunder as NON-PHOSPHATE BEARING.

DISTRICT OF MENENG

SCALE : 1:1000



James de Robert
HAMMER DE ROBERT

MINISTER

ISLAND DEVELOPMENT AND INDUSTRY

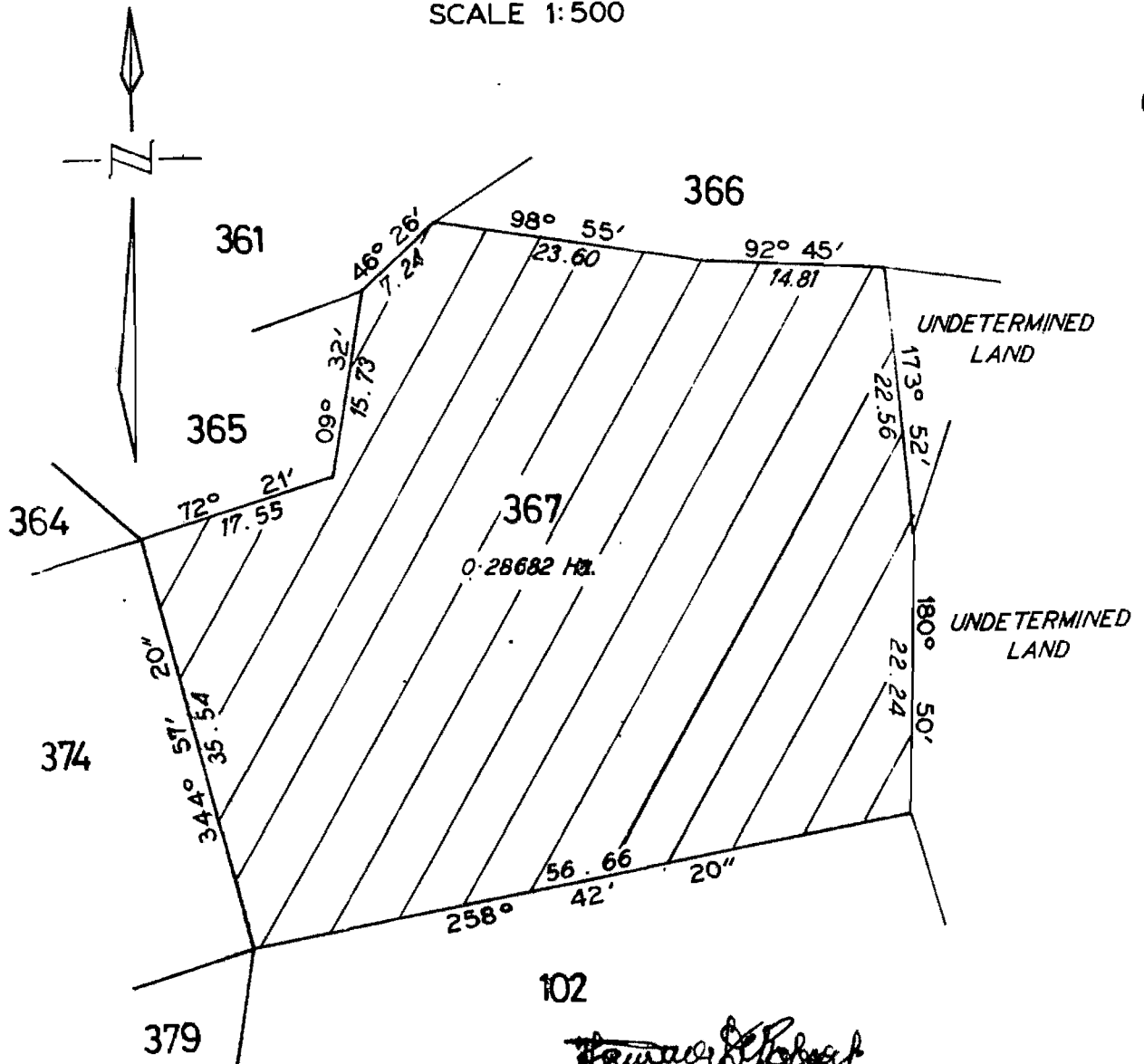
G.N. No. 79/1982

CLASSIFICATION OF LAND

BY VIRTUE of the powers vested in me by SECTION 7 of
the LANDS ACT 1976, I HEREBY classify the land shown
hatched on the plan hereunder as NON-PHOSPHATE BEARING.

DISTRICT OF AIWO

SCALE 1:500



102

Hammer Derobert
(HAMMER DEROBURT)
MINISTER

ISLAND DEVELOPMENT AND INDUSTRY

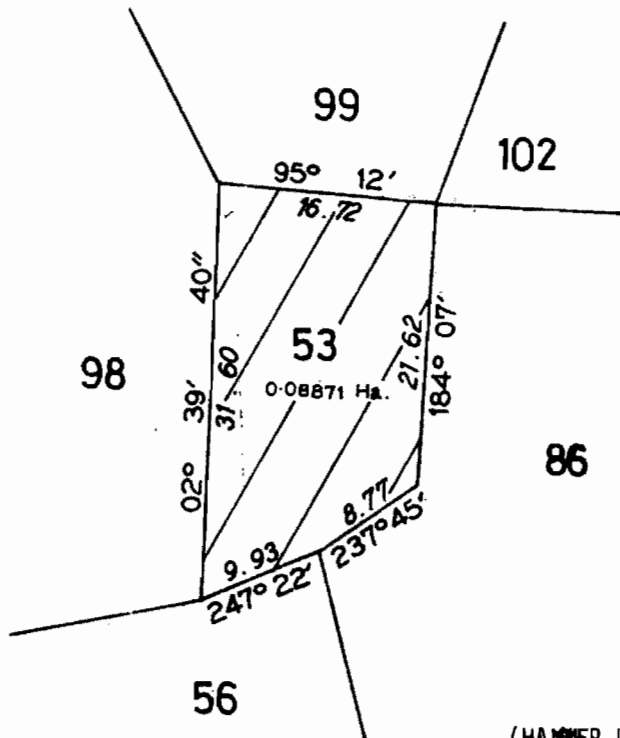
L.N. No. 80/1982

CLASSIFICATION OF LAND

BY VIRTUE of the powers vested in me by SECTION 7 of the LANDS ACT 1976, I HEREBY classify the land shown hatched on the plan hereunder as NON-PHOSPHATE BEARING.



DISTRICT OF ANETAN
SCALE 1:500



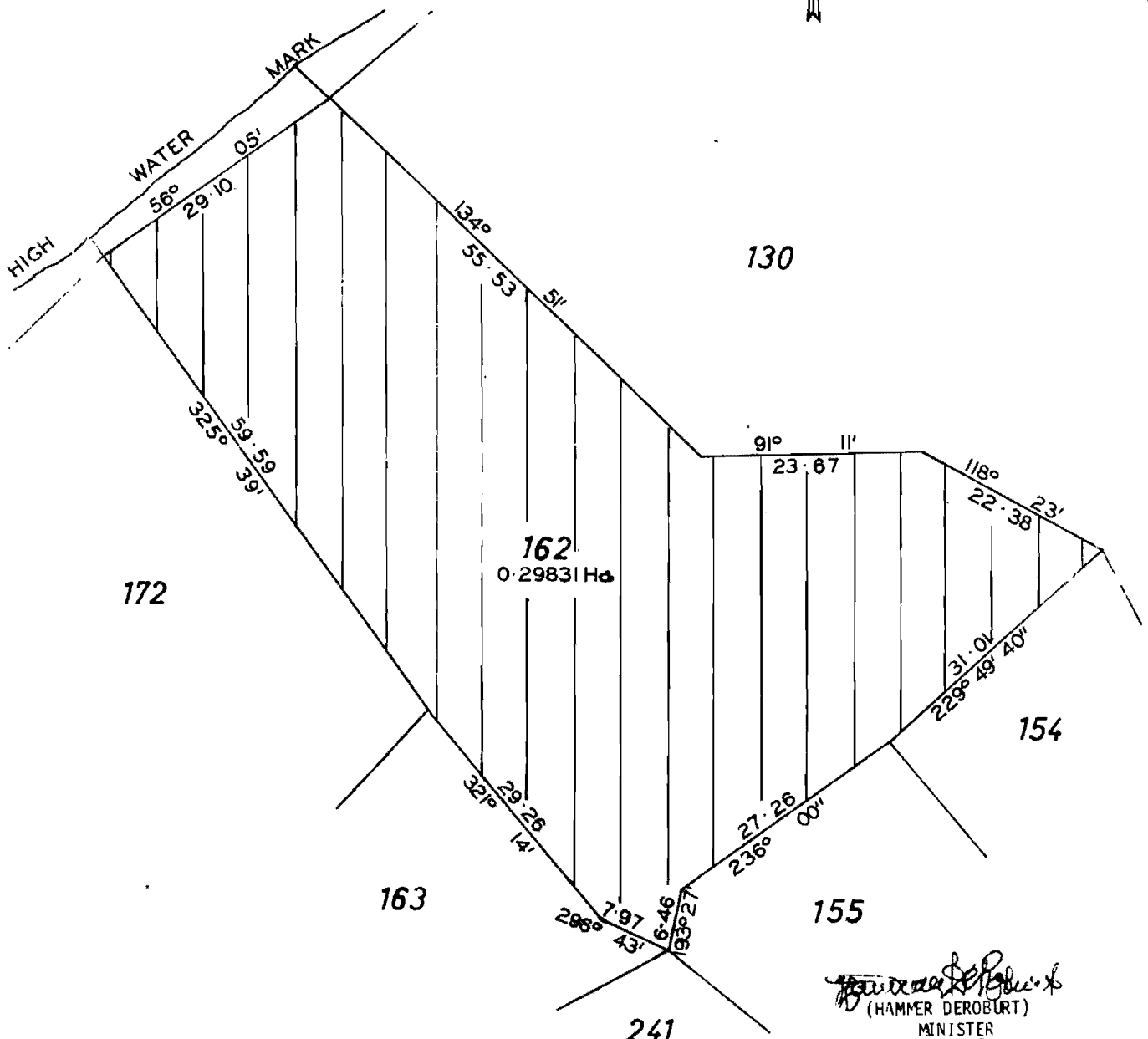
[Signature]
(HAMMER DEROBURT)
MINISTER

ISLAND DEVELOPMENT AND INDUSTRY

CLASSIFICATION OF LAND

BY VIRTUE of the powers vested in me by SECTION 7 of the LANDS ACT 1976.
I HEREBY classify the land shown hatched on the plan hereunder as NON-
PHOSPHATE BEARING.

DISTRICT OF NIBOK
SCALE: 1:500



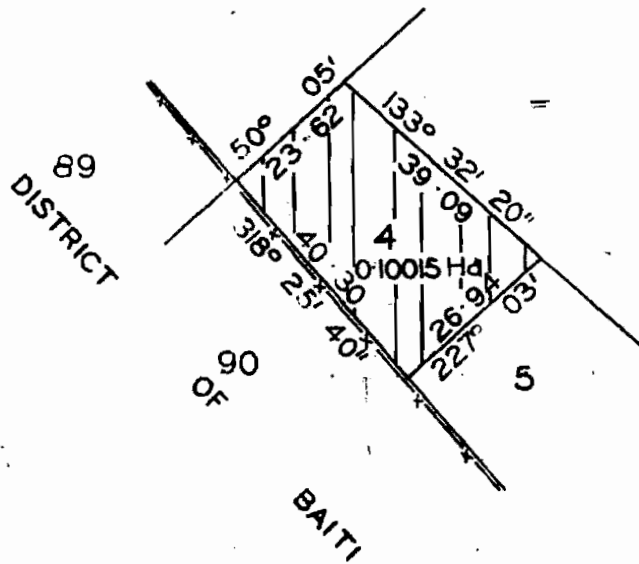
Hammer Derobert
(HAMMER DEROBERT)
MINISTER
ISLAND DEVELOPMENT AND INDUSTRY

G.N. No. 82/1982

CLASSIFICATION OF LAND

BY VIRTUE of the powers vested in me by SECTION 7 of the LANDS ACT 1976, I HEREBY classify the land shown hatched on the plan hereunder as NON - PHOSPHATE BEARING.

DISTRICT OF EWA
SCALE: 1:1000



Hammer Derobury
(HAMMER DEROBURY)
MINISTER

ISLAND DEVELOPMENT AND INDUSTRY

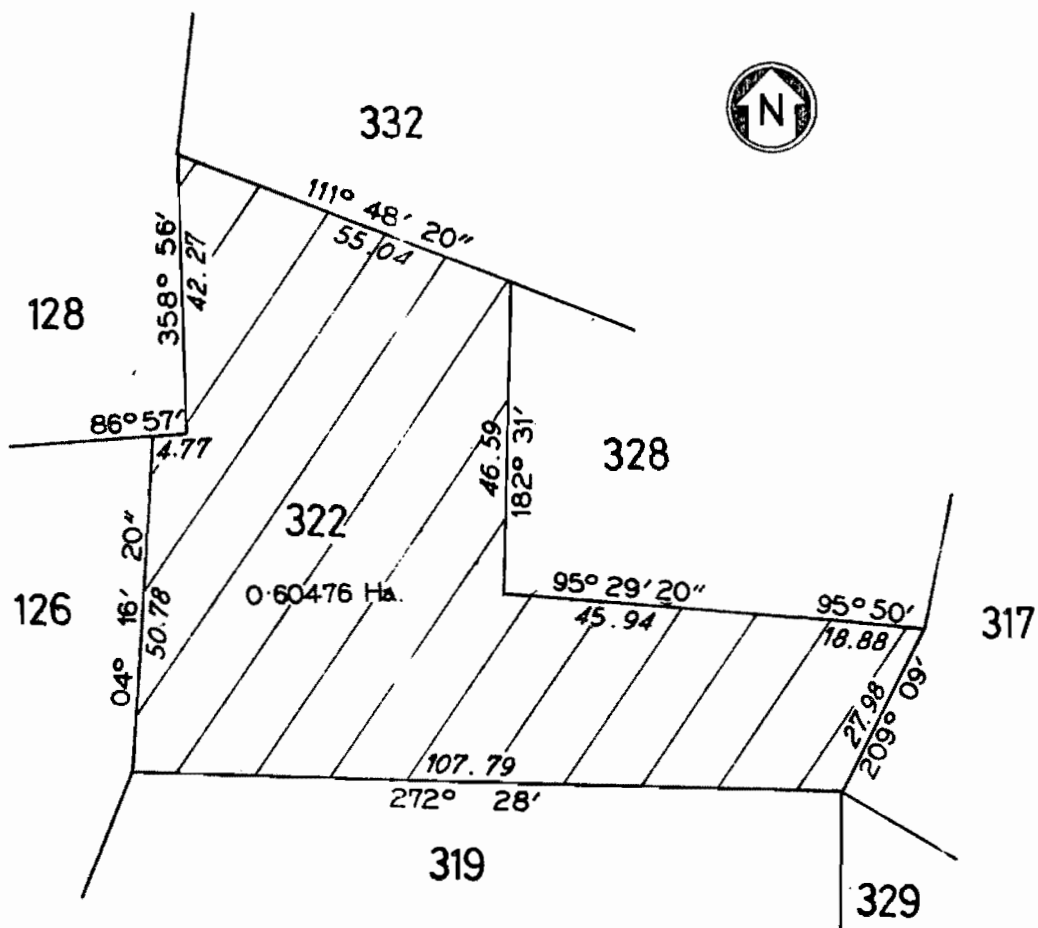
G.N. No. 83/1982

CLASSIFICATION OF LAND

BY VIRTUE of the powers vested in me by SECTION 7, of the LAND ACT 1976, I HEREBY classify the land shown hatched on the plan hereunder as NONPHOSPHATE BEARING.

DISTRICT OF BUADA

SCALE 1: 1000



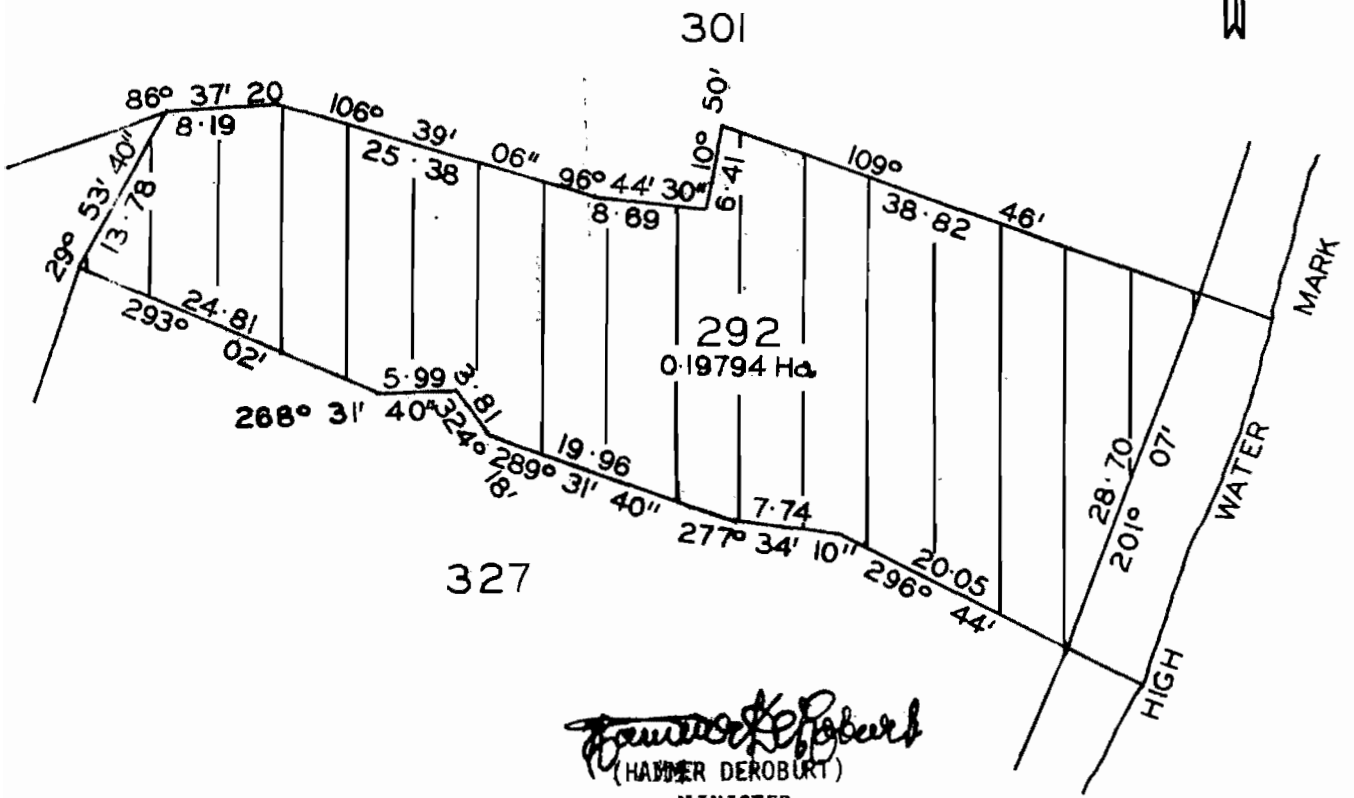
Hammer Derobert
(HAMMER DEROBURT)
MINISTER

ISLAND DEVELOPMENT AND INDUSTRY

CLASSIFICATION OF LAND

BY VIRTUE of the powers vested in me by SECTION 7 of the LANDS ACT 1976, I HEREBY classify the land shown hatched on the plan hereunder as NON-PHOPHATE BEARING.

DISTRICT OF ANIBARE
SCALE: 1:500



James K. Robert
(HARDY DEROBURT)
MINISTER

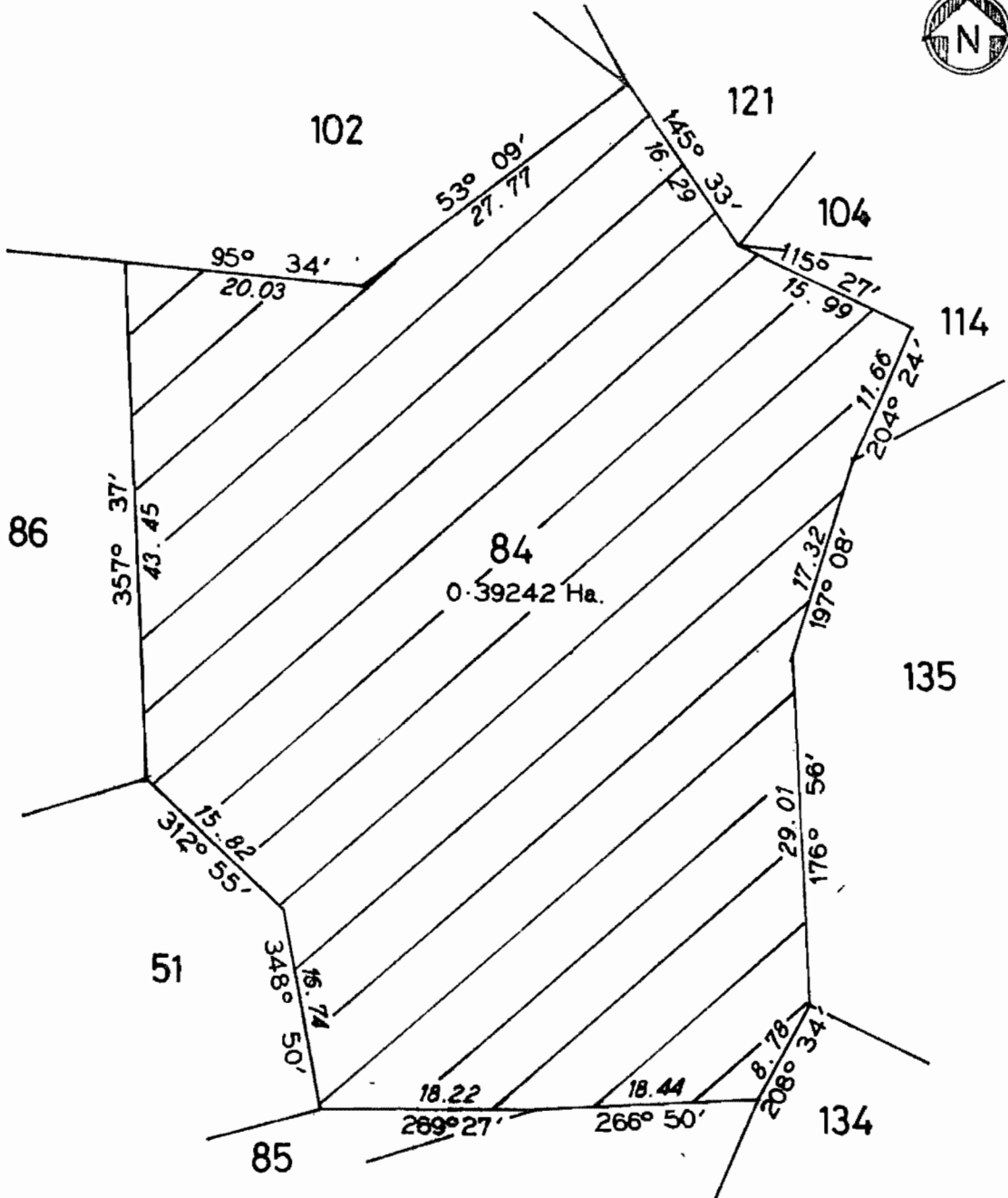
ISLAND DEVELOPMENT AND INDUSTRY

DISTRICT OF ANETAN

SCALE 1: 500

CLASSIFICATION OF LAND

BY VIRTUE of the powers vested in me by SECTION 7, of the LAND ACT 1976, I HEREBY classify the land shown hatched on the plan hereunder as NON-PHOSPHATE BEARING.

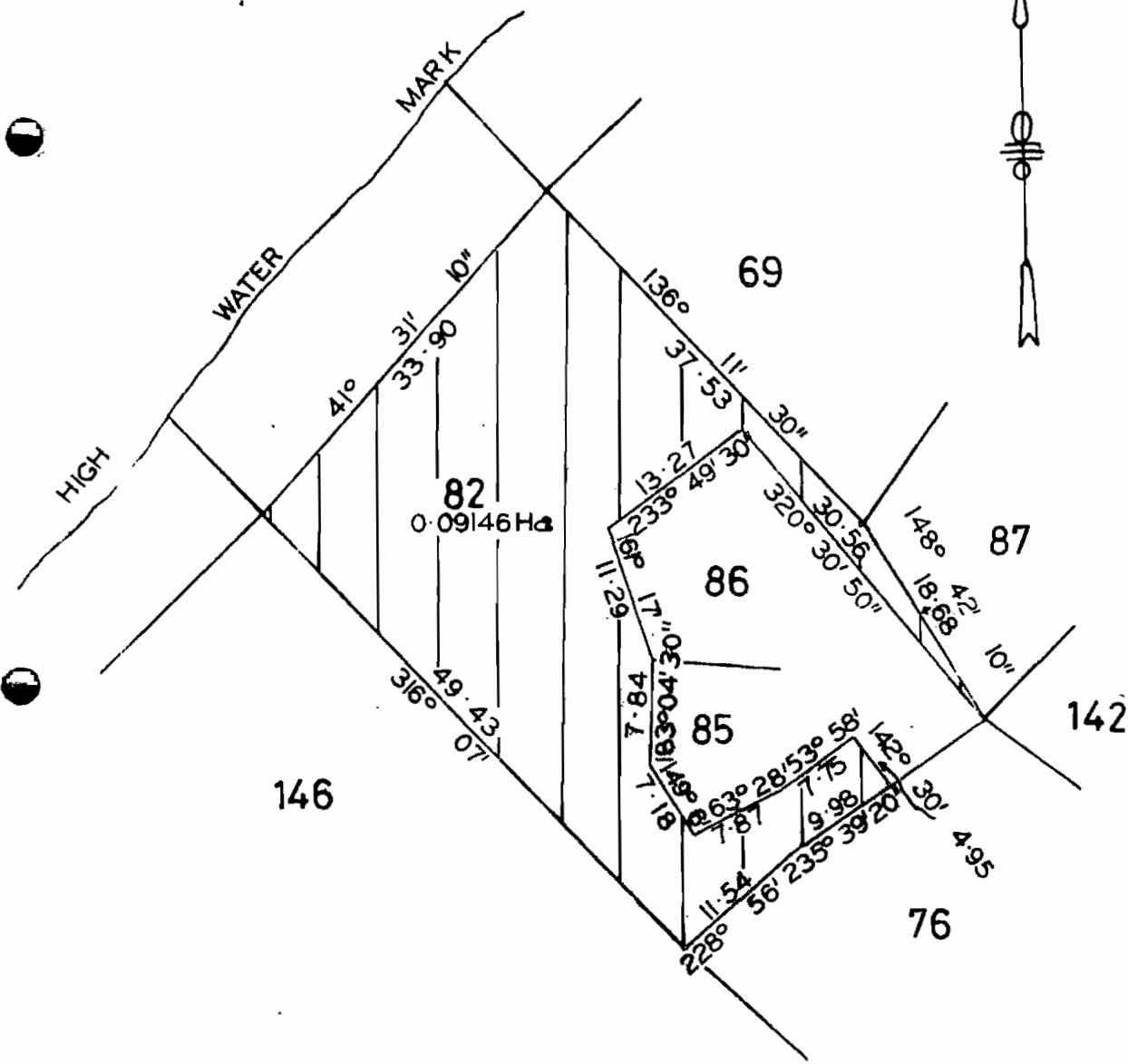


Hamner Derobart
 (HAMNER DEROBART)
 MINISTER

CLASSIFICATION OF LAND

BY VIRTUE of the powers vested in me by SECTION 7, of the LAND ACT 1976, I HEREBY classify the land shown hatched on the plan hereunder as NON-PHOSPHATE BEARING.

DISTRIC OF UABOE
SCALE 1:500



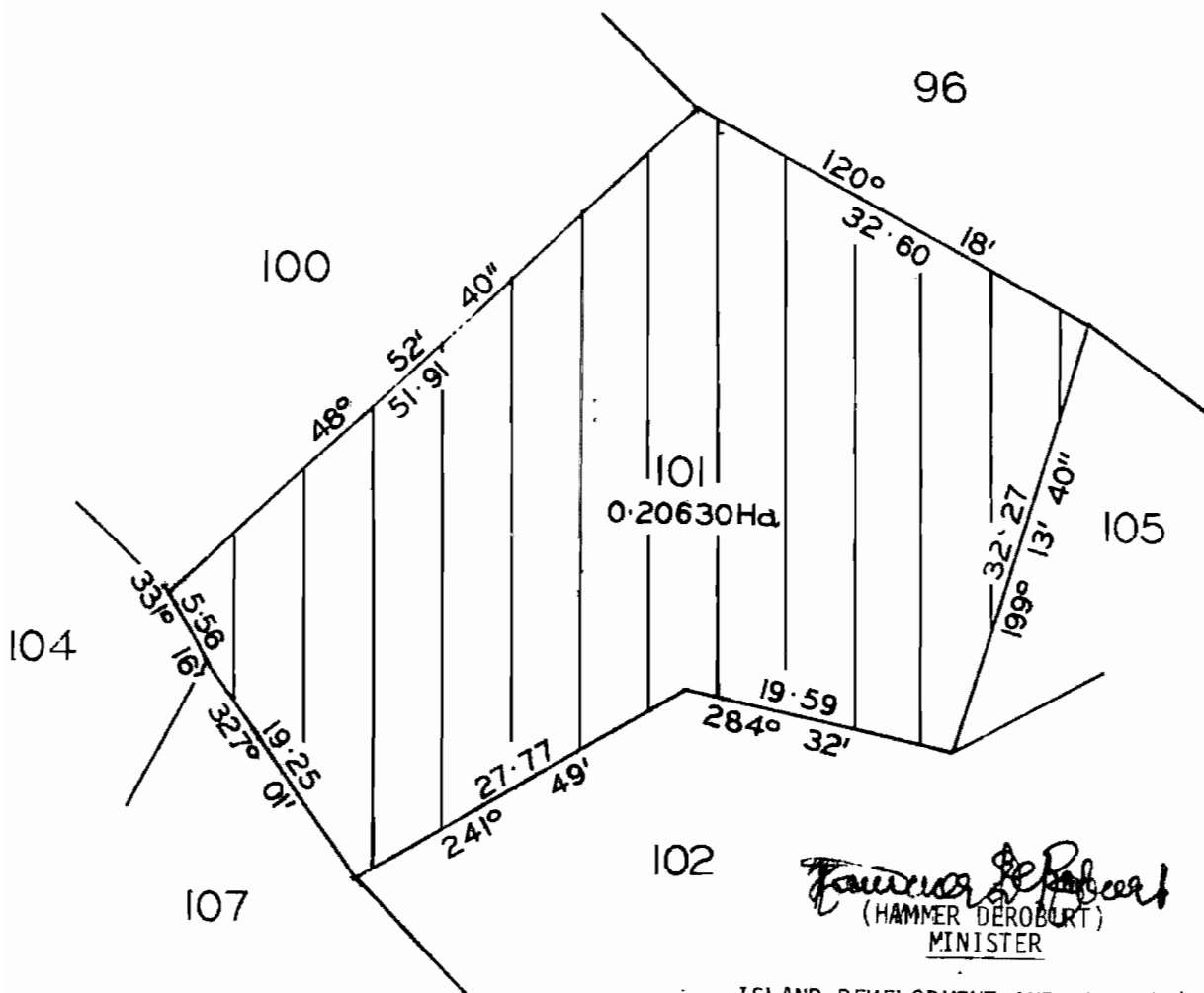
Hamer Derobert
(HAMER DEROBERT)
MINISTER

ISLAND DEVELOPMENT AND INDUSTRY

CLASSIFICATION OF LAND

BY VIRTUE of the powers vested in me by SECTION 7 of the LANDS ACT 1976, I HEREBY classify the land shown hatched on the plan hereunder as NON-PHOSPHATE BEARING.

DISTRICT OF BAITI
SCALE : 1:500



Hammer de Robert
(HAMMER DE ROBERT)
MINISTER

ISLAND DEVELOPMENT AND INDUSTRY